



Replacement Parts Guide

**EXPLODED DIAGRAMS AND PARTS LISTS FOR
THE EASIKIT CONVEYOR RANGE**



CONTENTS

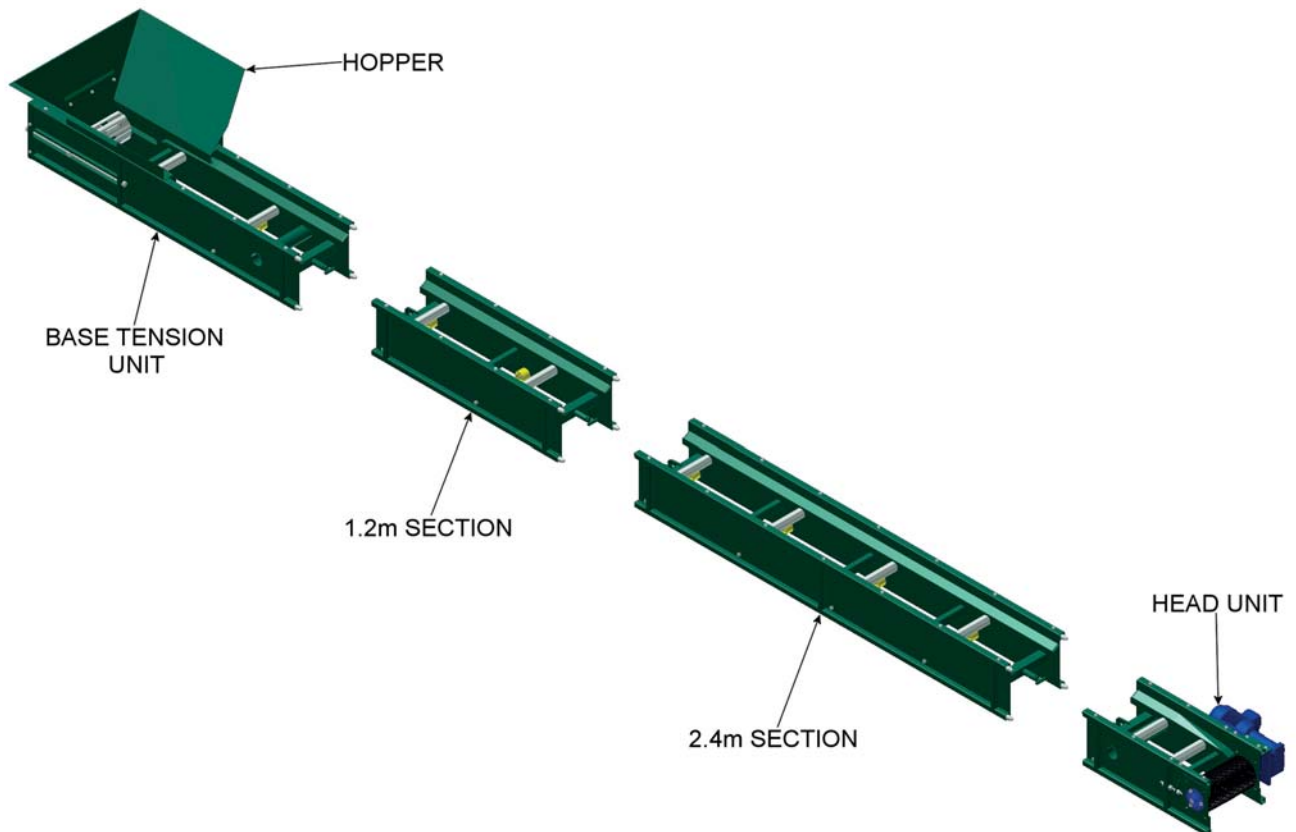
Page 3	EASIKIT 300
Page 7	EASIKIT 450
Page 11	EASIKIT 600
Page 15	EASIKIT 900
Page 19	EASIKIT 1200
Page 23	EASIKIT 1500
Page 27	MOTORS & GEARBOXES
Page 28	BELTING
Page 29	BELT CLIP JOINT PARTS

Tel: +44 (0) 117 244 3456 | Fax: +44 (0) 117 956 4660
E-mail: sales@easikit.co.uk

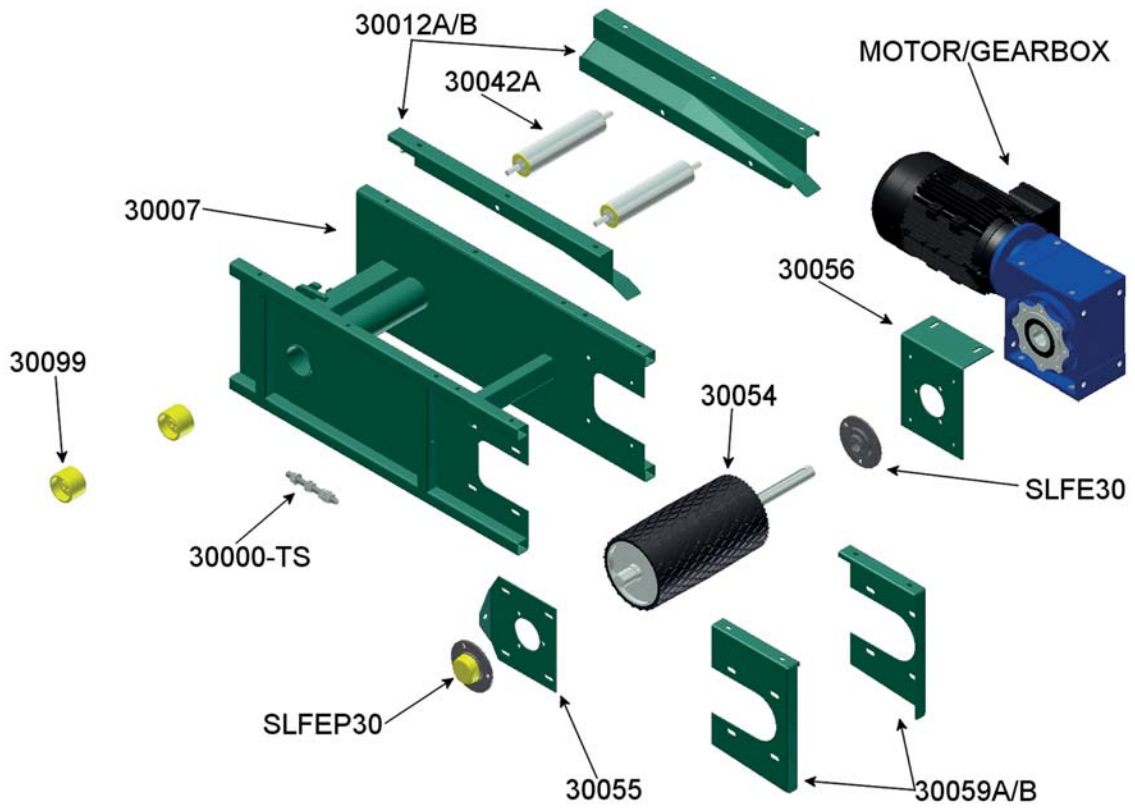
Parts Guide Edition - March 2016



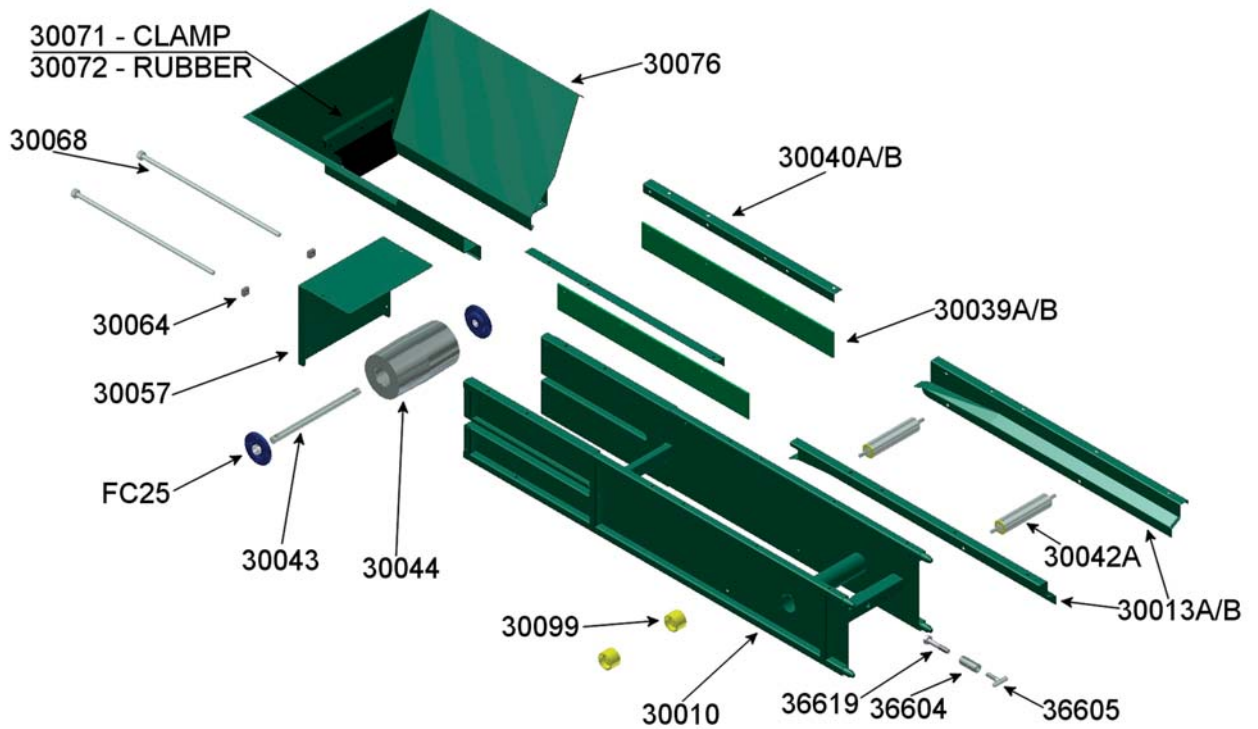
EASIKIT 300 PARTS



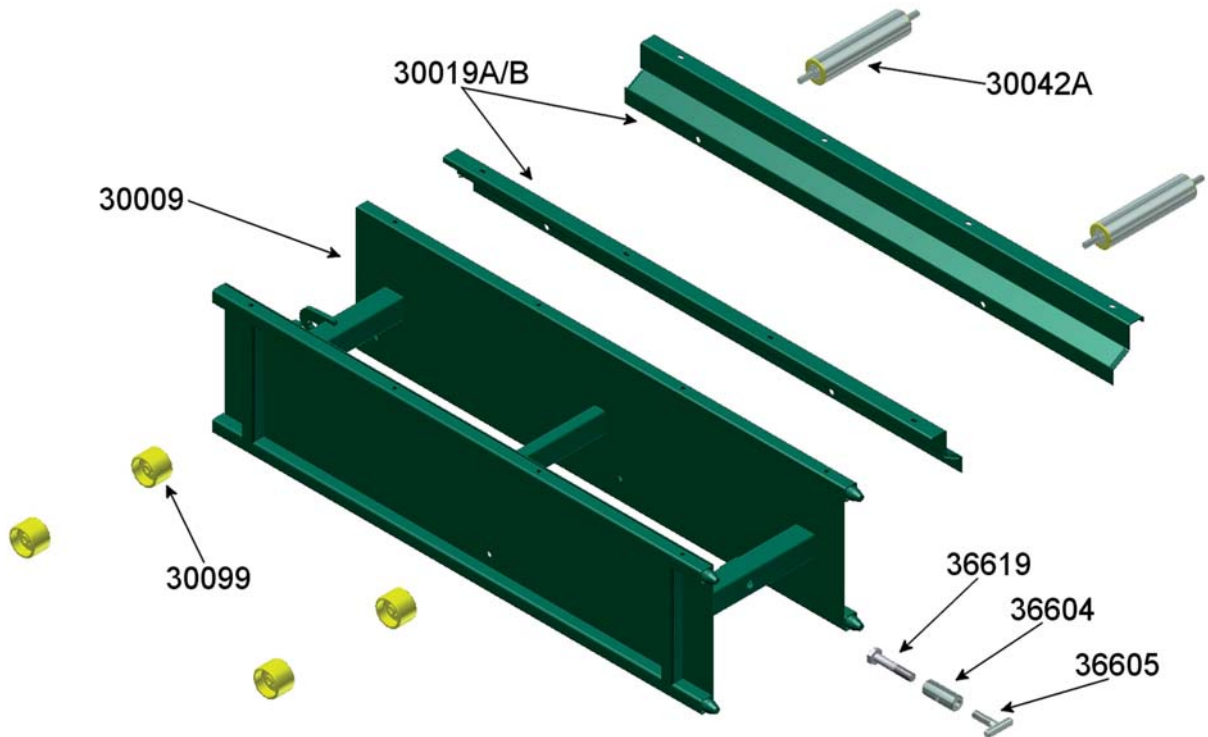
301 – HEAD DRIVE UNIT



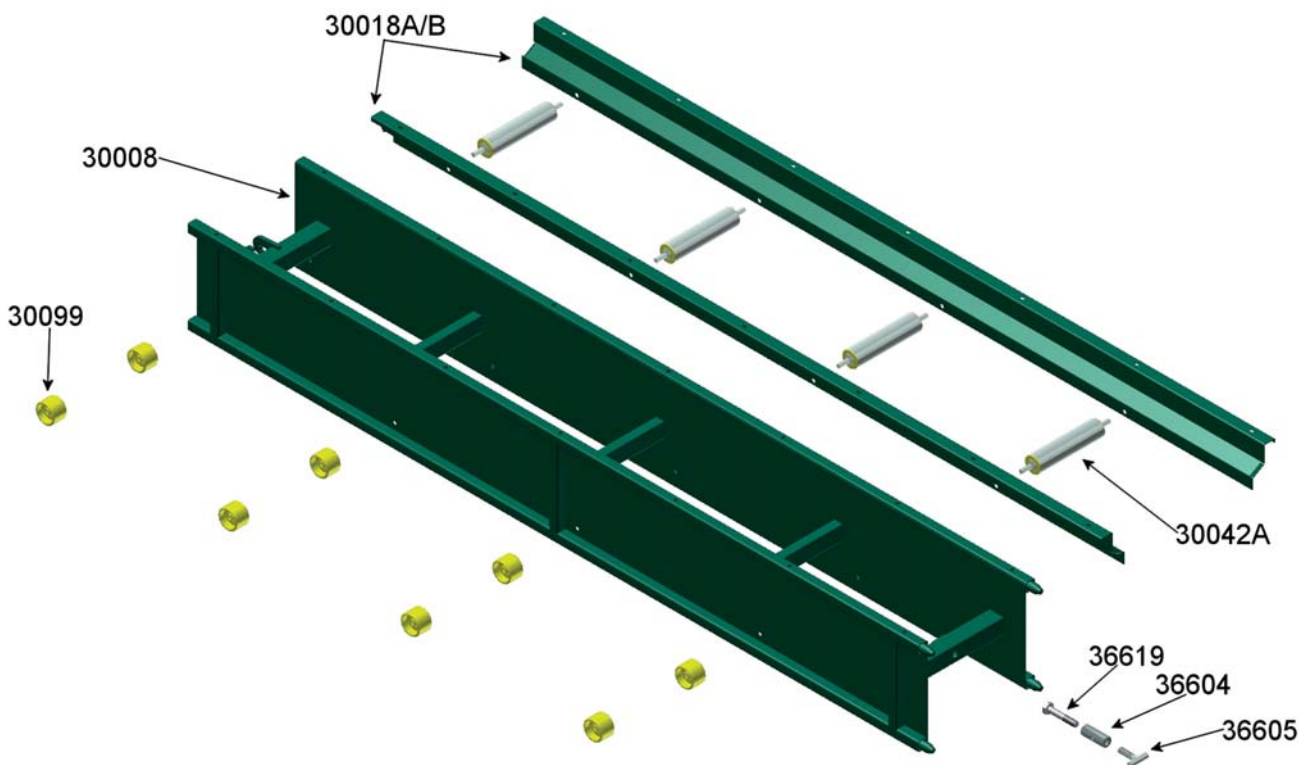
302 – BASE TENSION UNIT



303 – 1.2m (4ft) SECTION



304 – 2.4m (8ft) SECTION



EASIKIT 300 PARTS ORDER FORM

Company: _____

Your name: _____

Address: _____

Tel no: _____

Post Code: _____

Your Order No: _____

E-mail: _____

EASIKIT 300 HEAD UNIT

ITEM NO.	DESCRIPTION	QTY
30007	Head Unit Frame	
30012A	Head Wear Strip (LH)	
30012B	Head Wear Strip (RH)	
30042A	Top Roller	
30054	Drive Drum	
30055	Bearing Mounting Plate	
30056	Motor Mounting Plate	
30059A	Wear Plate (LH)	
30059B	Wear Plate (RH)	
30099	Return Wheels (Single)	
30099A	Return Wheels (Set)	
SLFE30	Bearing Motor Side	
SLFEP30	Bearing	
30P	Bearing Cap	
30000-TS	Tracking Stud	

EASIKIT 300 BASE TENSION UNIT

ITEM NO.	DESCRIPTION	QTY
30010	Tail Unit Frame	
30039A	Side Skirt (LH)	
30039B	Side Skirt (RH)	
30040A	Side Seal Clamp (LH)	
30040B	Side Seal Clamp (RH)	
30013A	Tail Wear Strip (LH)	
30013B	Tail Wear Strip (RH)	
30042A	Top Roller	
30043	Tail Drum Shaft	
30044	Tail Drum	
FC25	Tail Drum Bearing	
30057	Tail Guard	
30064	Square Nut	
30068	Tensioning Stud	

EASIKIT 300 BASE TENSION UNIT contd

ITEM NO.	DESCRIPTION	QTY
36604	Toggle Boss	
36605	Toggle Tee	
36619	Toggle Bolt	
30099	Return Wheels (single)	
30099A	Return Wheels (set)	
30071	Hopper Rubber Clamp	
30072	Hopper Rubber	
30076	Hopper Frame	

EASIKIT 300 1.2m (4ft) SECTION

ITEM NO.	DESCRIPTION	QTY
30009	1.2m Frame	
30019A	1.2m Wear Strip	
30019B	1.2m Wear Strip	
30042A	Top Roller	
36604	Toggle Boss	
36605	Toggle Tee	
36619	Toggle Bolt	
30099	Return Wheels (Single)	
30099A	Return Wheels (Set)	

EASIKIT 300 2.4m (8ft) SECTION

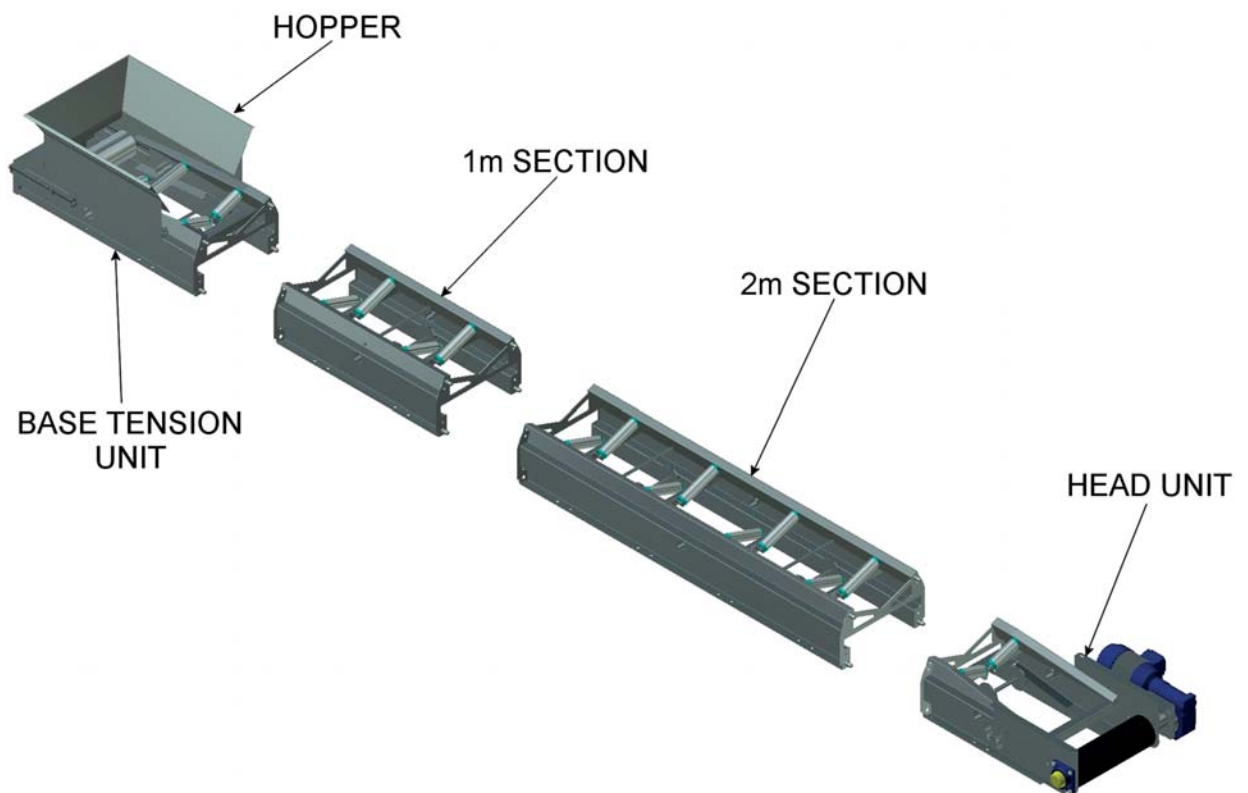
ITEM NO.	DESCRIPTION	QTY
30008	2.4m Frame	
30018A	2.4m Wear Strip	
30018B	2.4m Wear Strip	
30042A	Top Roller	
36604	Toggle Boss	
36605	Toggle Tee	
36619	Toggle Bolt	
30099	Return Wheels (Single)	
30099A	Return Wheels (Set)	

PLEASE FILL IN YOUR REQUIREMENTS AND SEND A PHOTOGRAPH / COPY OF THIS FORM TO:

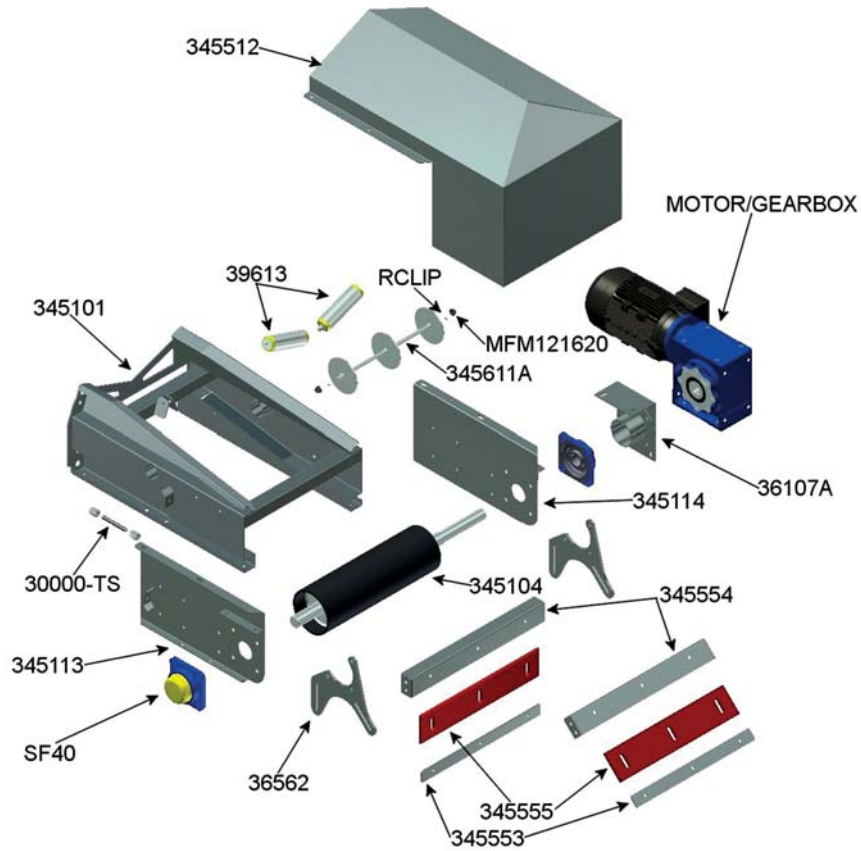
E-mail: sales@easikit.co.uk or Fax: 0117 956 4660



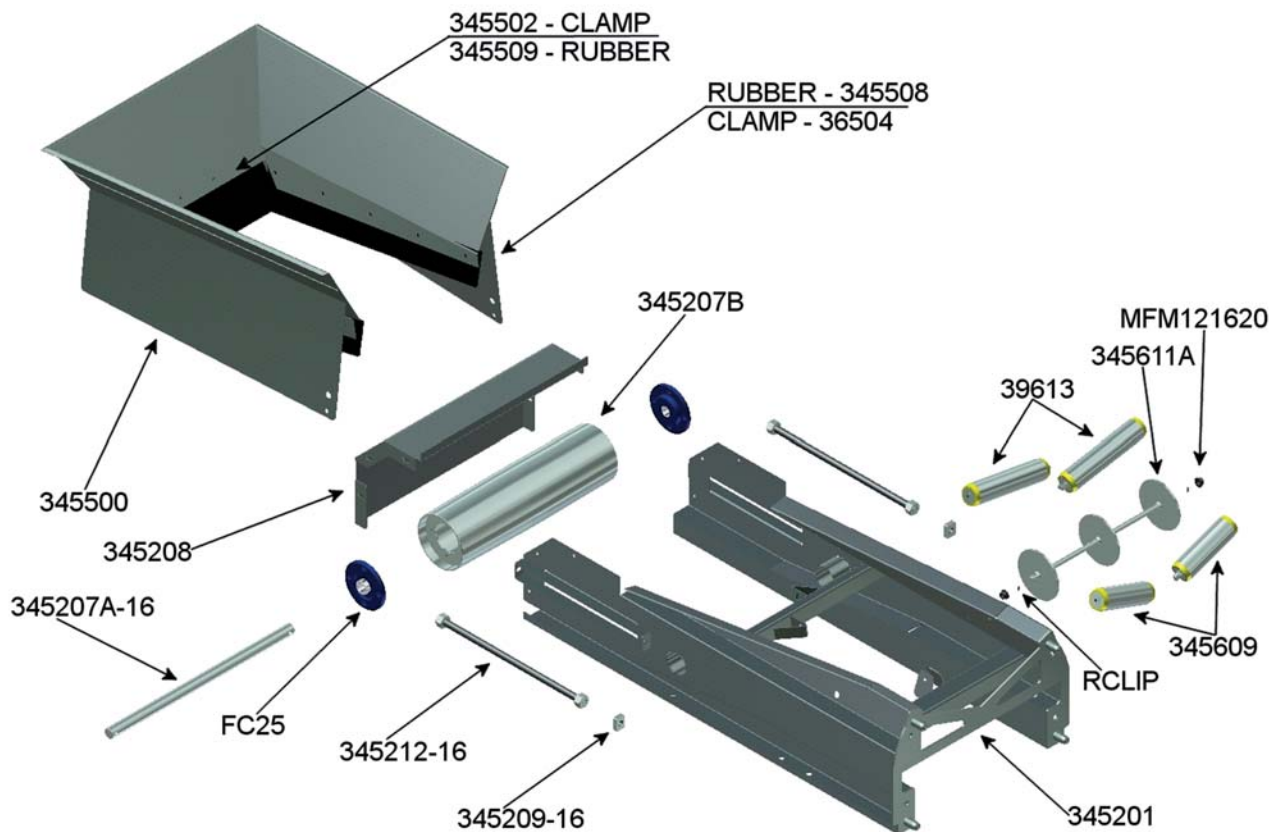
EASIKIT 450 PARTS



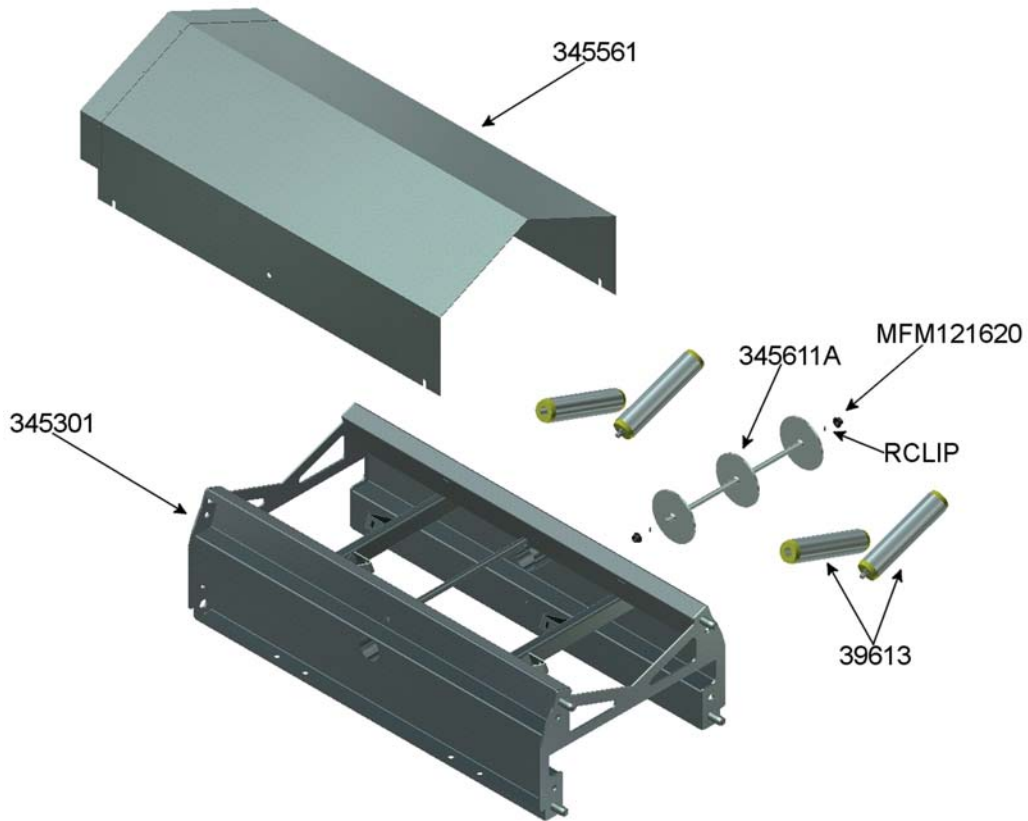
401 - HEAD DRIVE UNIT



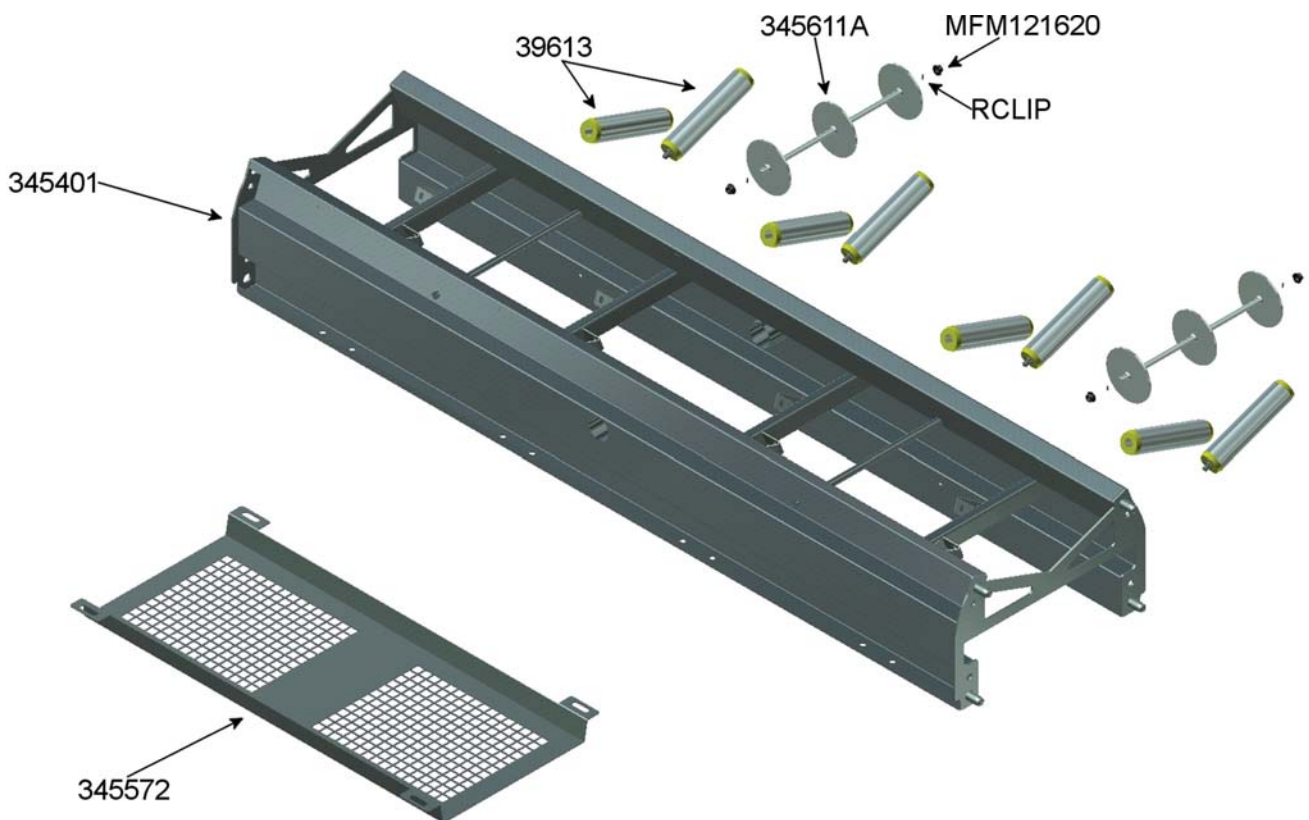
402 - BASE TENSION UNIT



403 – 1.2m (4ft) SECTION



404 – 2.4m (8ft) SECTION



EASIKIT 450 PARTS ORDER FORM

Company: _____

Your name: _____

Address: _____

Tel no: _____

Post Code: _____

Your Order No: _____

E-mail: _____

EASIKIT 450 HEAD UNIT

ITEM NO.	DESCRIPTION	QTY
354101	Head Unit Frame	
345104	Drive Drum	
36107A	Motor Bracket	
39613	Top Roller	
345113	Head Plate (RH)	
345114	Head Plate (LH)	
345611A	Disc Return Roller	
MFM121620	Return Roller Bush	
RCLIP	Return Roller R-Clip	
345623	Plain Return Roller	
SF40	Head Drum Bearing	
30000-TS	Tracking Stud	
36562	Scraper Side Brackets	
345553	Scraper Blade Clamp	
345554	Belt Scraper Frame	
345555	Polyurethane Blade	
345512	Head Top Cover	

EASIKIT 450 BASE TENSION UNIT

ITEM NO.	DESCRIPTION	QTY
345201	Tail Unit Frame	
345207A	Tail Drum Shaft	
345207B	Tail Drum	
FC25	Tail Drum Bearing	
345208	Tail Guard	
345209-16	Rectangular Nut	
345212-16	Tensioning Stud	
39613	Top Roller	
345623	Plain Return Roller	

EASIKIT 450 BASE TENSION UNIT contd

ITEM NO.	DESCRIPTION	QTY
345609	Short Top Roller	
345611A	Disc Return Roller	
MFM121620	Return Roller Bush	
RCLIP	Return Roller R-Clip	
345500	Hopper Frame	
345502	Back Rubber Clamp	
345509	Back Rubber	
36504	Side Rubber Clamp	
345508	Side Rubber	
345574	Hopper Pin	

EASIKIT 450 1.0m SECTION

ITEM NO.	DESCRIPTION	QTY
345301	1.0m Section Frame	
39613	Top Roller	
345611A	Disc Return Roller	
MFM121620	Return Roller Bush	
RCLIP	Return Roller R-Clip	
345623	Plain Return Roller	
345561	1.0m Top Cover	

EASIKIT 450 2.0m SECTION

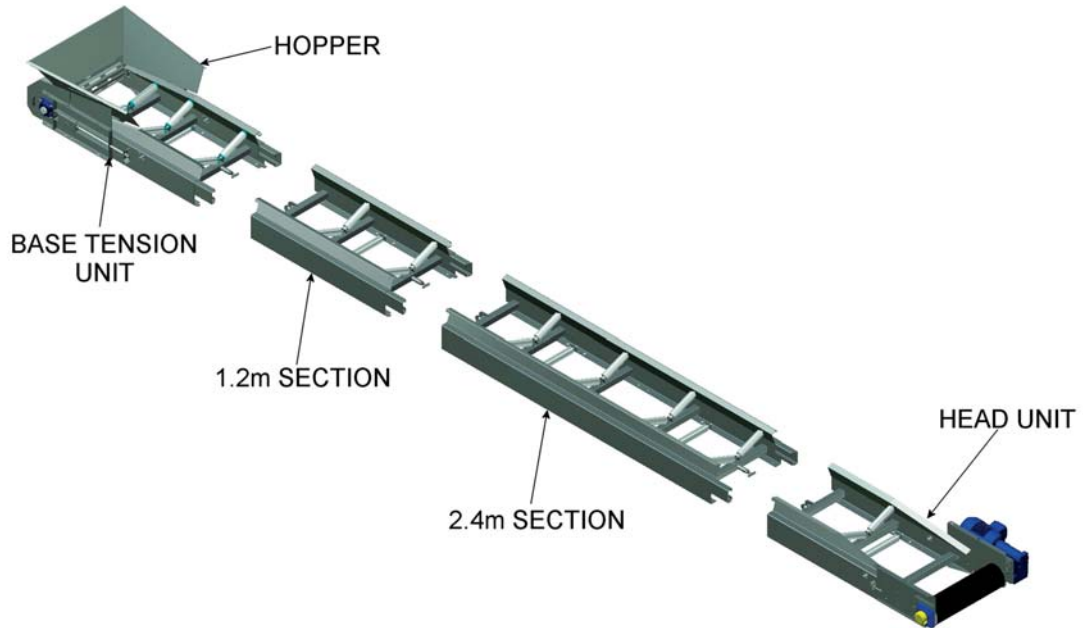
ITEM NO.	DESCRIPTION	QTY
345401	2m Section Frame	
39613	Top Roller	
345611A	Disc Return Roller	
MFM121620	Return Roller Bush	
RCLIP	Return Roller R-Clip	
345623	Plain Return Roller	
345572	Underguard Panel	

PLEASE FILL IN YOUR REQUIREMENTS AND SEND A PHOTOGRAPH / COPY OF THIS FORM TO:

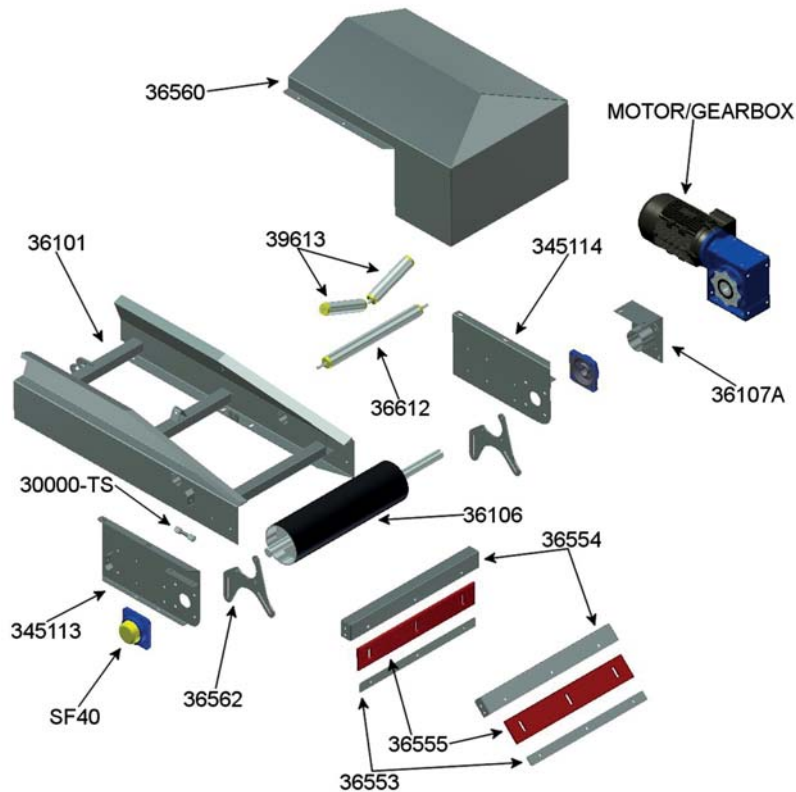
E-mail: sales@easikit.co.uk or Fax: 0117 956 4660



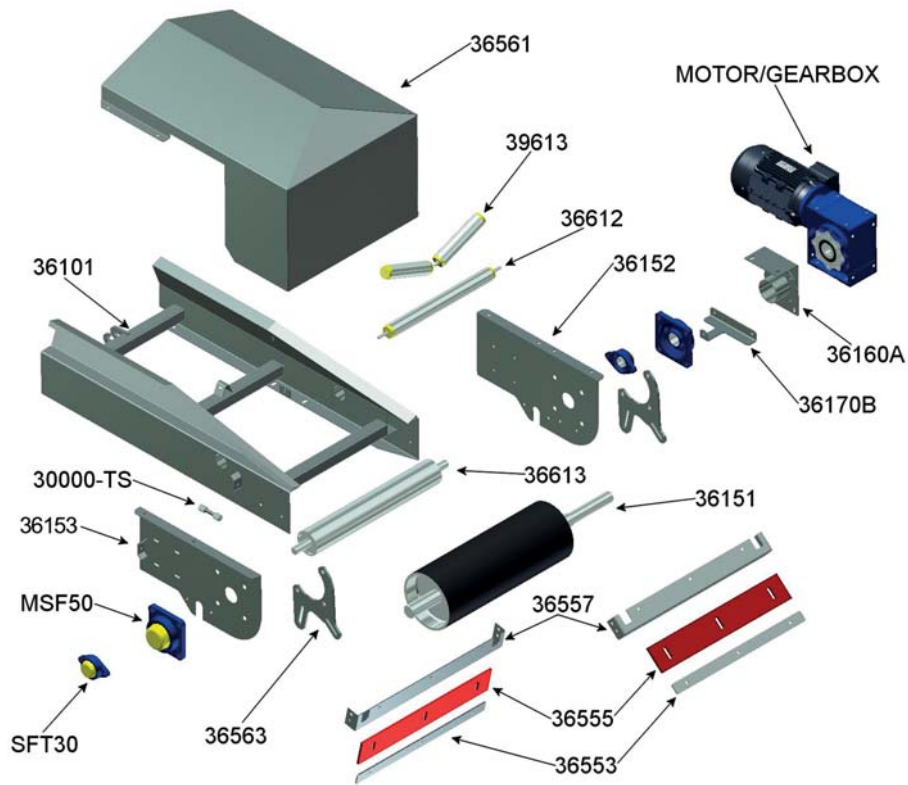
EASIKIT 600 PARTS



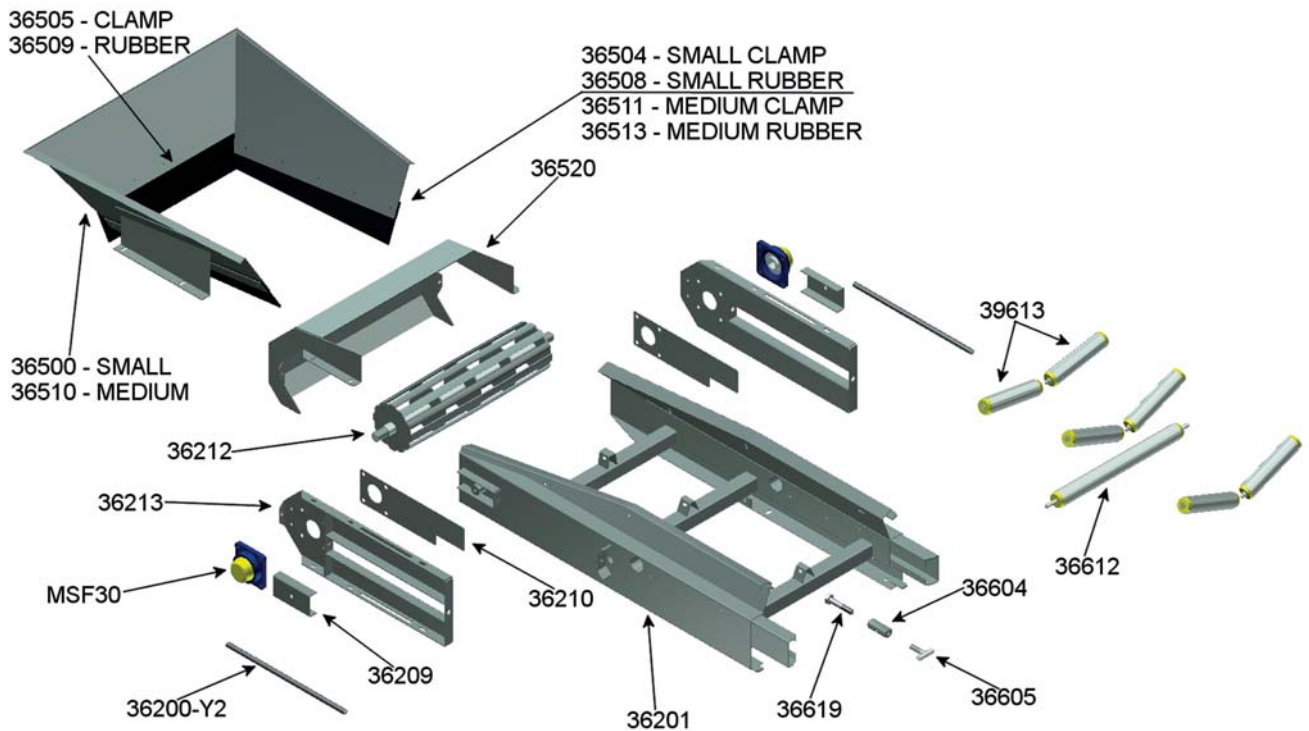
601 – HEAD DRIVE UNIT



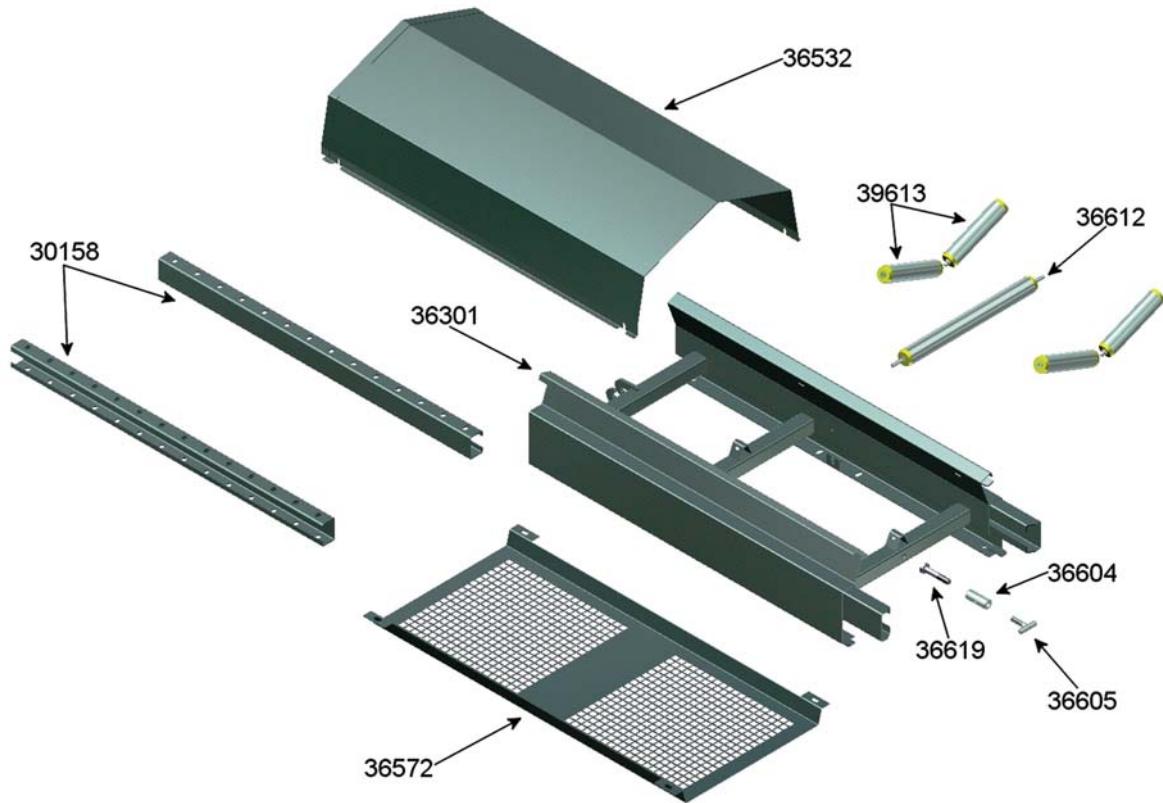
605 – SNUB HEAD DRIVE UNIT



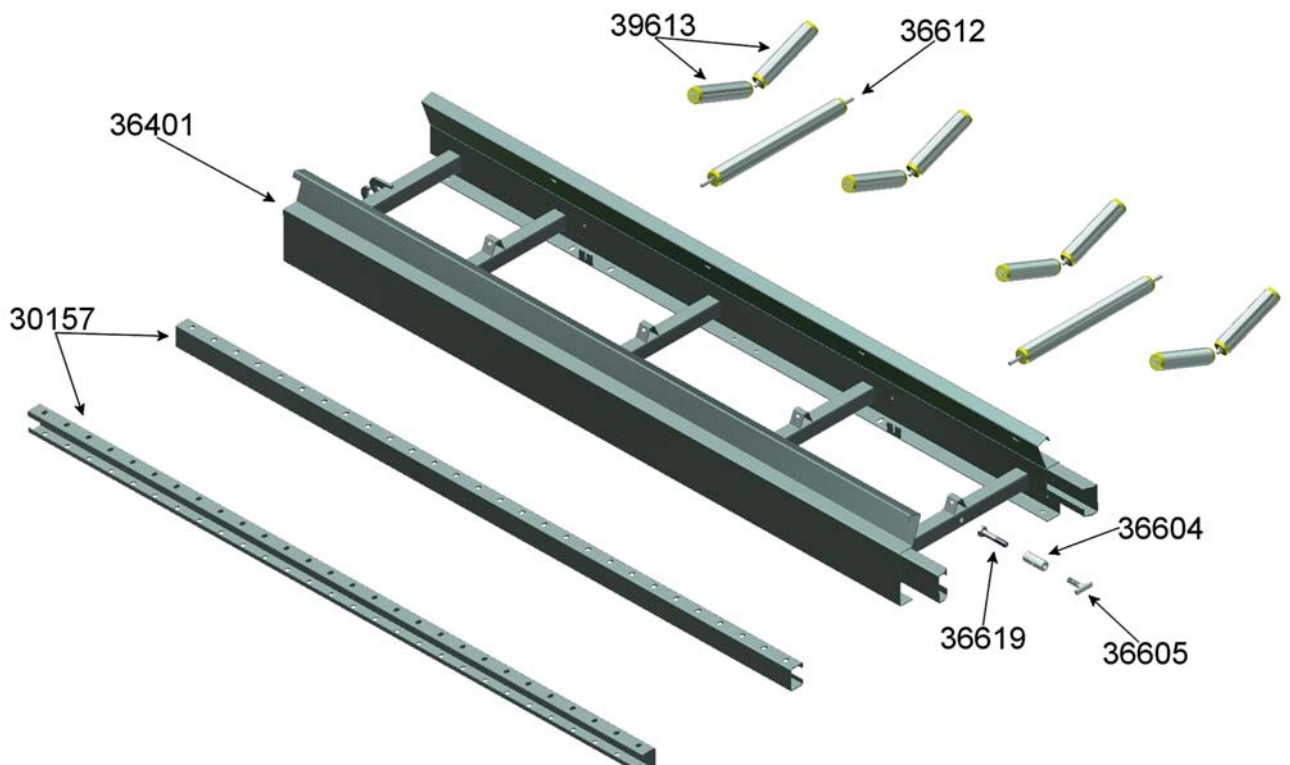
602 – BASE TENSION UNIT



603 – 1.2m (4ft) SECTION



604 – 2.4m (8ft) SECTION



EASIKIT 600 PARTS ORDER FORM

Company: _____

Your name: _____

Address: _____

Tel no: _____

Post Code: _____

Your Order No: _____

E-mail: _____

EASIKIT 600 HEAD UNIT		
ITEM NO.	DESCRIPTION	QTY
36101	Head Unit Frame	
36106	Drive Drum	
345113	Head Plate (RH)	
345114	Head Plate (LH)	
36107A	Motor Bracket	
36612	Return Roller	
36614A	Disc Return Roller	
39613	Top Roller	
30000-TS	Tracking Stud	
SF40	Head Drum Bearing	
36562	Belt Scraper Side Brackets	
36553	Belt Scraper Blade Clamp	
36554	Belt Scraper Frame	
36555	Polyurethane Scraper Blade	
36560	Head Top Cover	

EASIKIT 600 SNUB DRIVE UNIT contd		
ITEM NO.	DESCRIPTION	QTY
36553	Belt Scraper Blade Clamp	
36655	Polyurethane Blade	
36557	Snub Primary Scraper Frame	
36561	Snub Head Top Cover	

EASIKIT 600 BASE TENSION UNIT		
ITEM NO.	DESCRIPTION	QTY
36201	Tail Unit Frame	
36209	Tail Clamp	
36210	Finger Guard	
36212	Tail Drum	
36213	Tail Bracket	
36604	Toggle Boss	
36605	Toggle Tee	
36619	Toggle Bolt	
36612	Return Roller	
36614A	Disc Return Roller	
39613	Top Roller	
MSF30	Tail Drum Bearing	
36200-Y2	Tensioning Stud	
36500	Small Hopper Frame	
36510	Medium Hopper Frame	
36504	Small Side Rubber Clamp	
36505	Back Rubber Clamp	
36508	Small Side Rubber	
36509	Back Rubber	
36511	Medium Side Rubber Clamp	
36513	Medium Side Rubber	
36520	Tail Guard	

EASIKIT 600 1.2m (4ft) SECTION		
ITEM NO.	DESCRIPTION	QTY
36301	1.2m (4ft) Section Frame	
36604	Toggle Boss	
36605	Toggle Tee	
39619	Toggle Bolt	
36612	Return Roller	
36614A	Disc Return Roller	
39613	Top Roller	
30158	1.2m Stringer	
36532	1.2m Top Cover	
36572	Mesh Underguard	

EASIKIT 600 2.4m (8ft) SECTION		
ITEM NO.	DESCRIPTION	QTY
36401	2.4m (8ft) Section Frame	
36604	Toggle Boss	
36605	Toggle Tee	
39619	Toggle Bolt	
36612	Return Roller	
36614A	Disc Return Roller	
39613	Top Roller	
30157	2.4m Stringer	

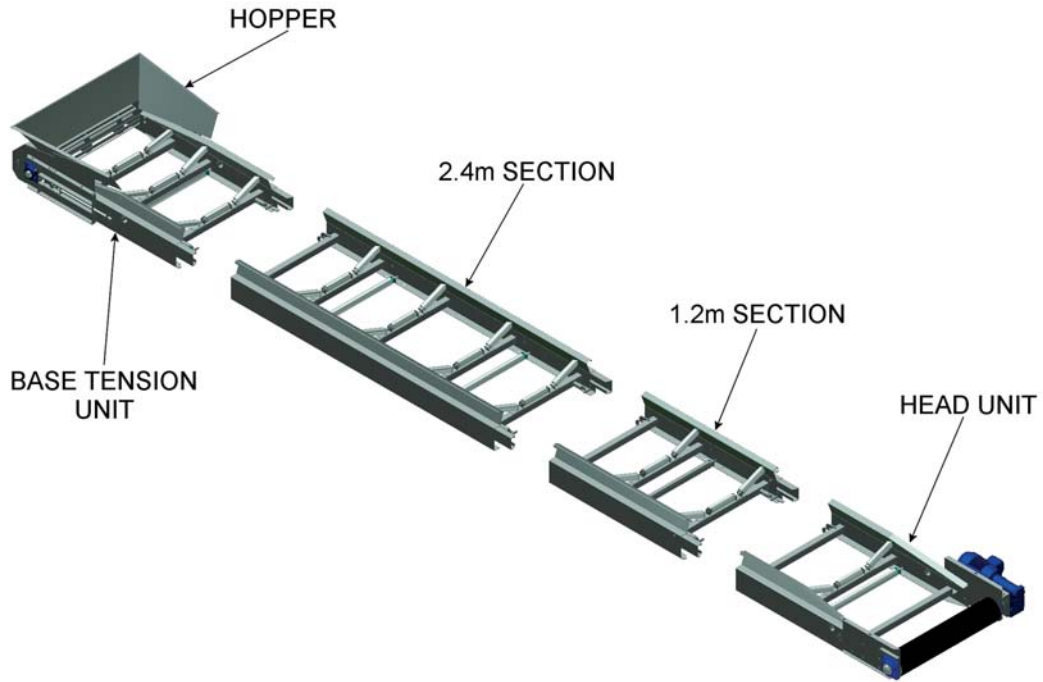
EASIKIT 600 SNUB DRIVE UNIT		
ITEM NO.	DESCRIPTION	QTY
36101	Head Unit Frame	
36151	Snub Drive Drum	
36152	Snub Head Plate (LH)	
36153	Snub Head Plate (RH)	
36160A	Snub Motor Bracket	
36170B	Motor Bracket Support	
36612	Return Roller	
36614A	Disc Return Roller	
39613	Top Roller	
36613	Snub Roller	
SFT30	Snub Roller Bearing	
30000-TS	Tracking Stud	
MSF50	Snub Head Drum Bearing	
36563	Belt Scraper Side Brackets	

PLEASE FILL IN YOUR REQUIREMENTS AND SEND A PHOTOGRAPH / COPY OF THIS FORM TO:

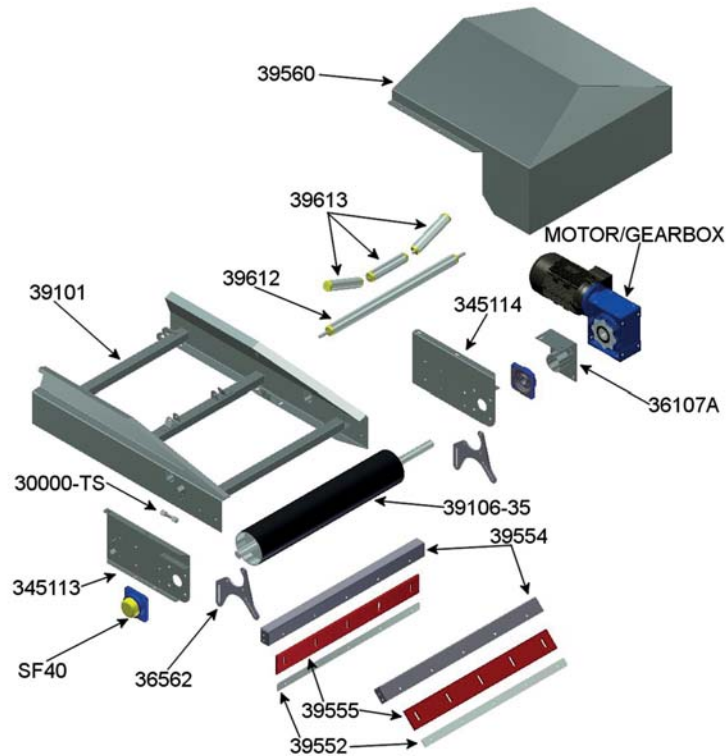
E-mail: sales@easikit.co.uk or Fax: 0117 956 4660



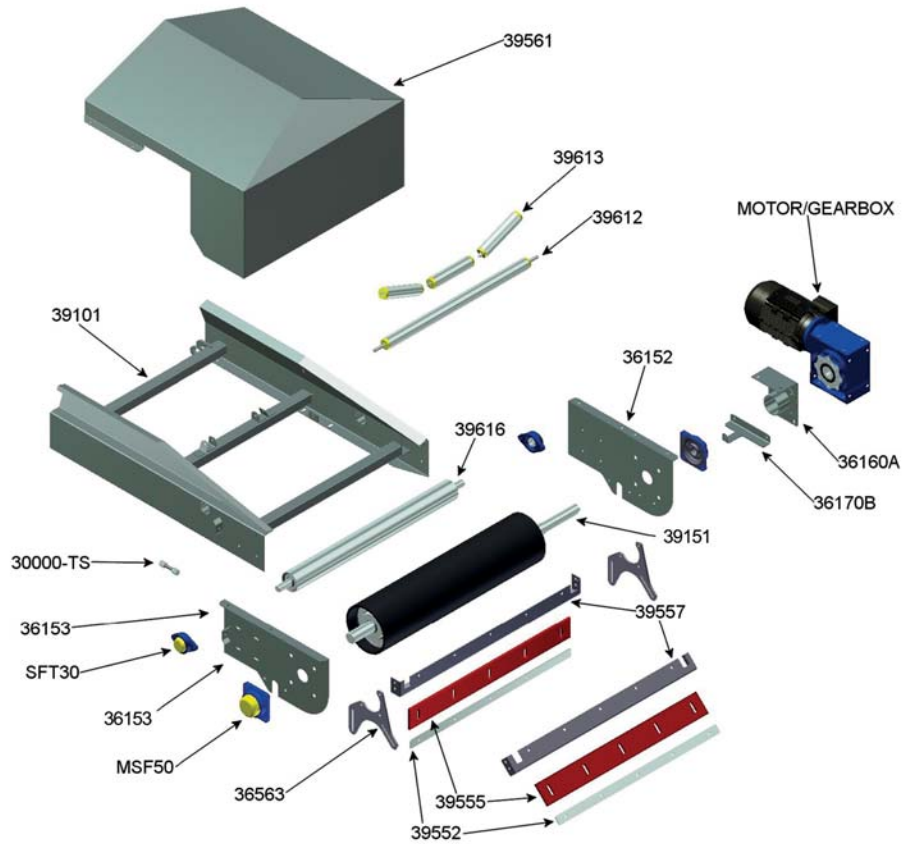
EASIKIT 900 PARTS



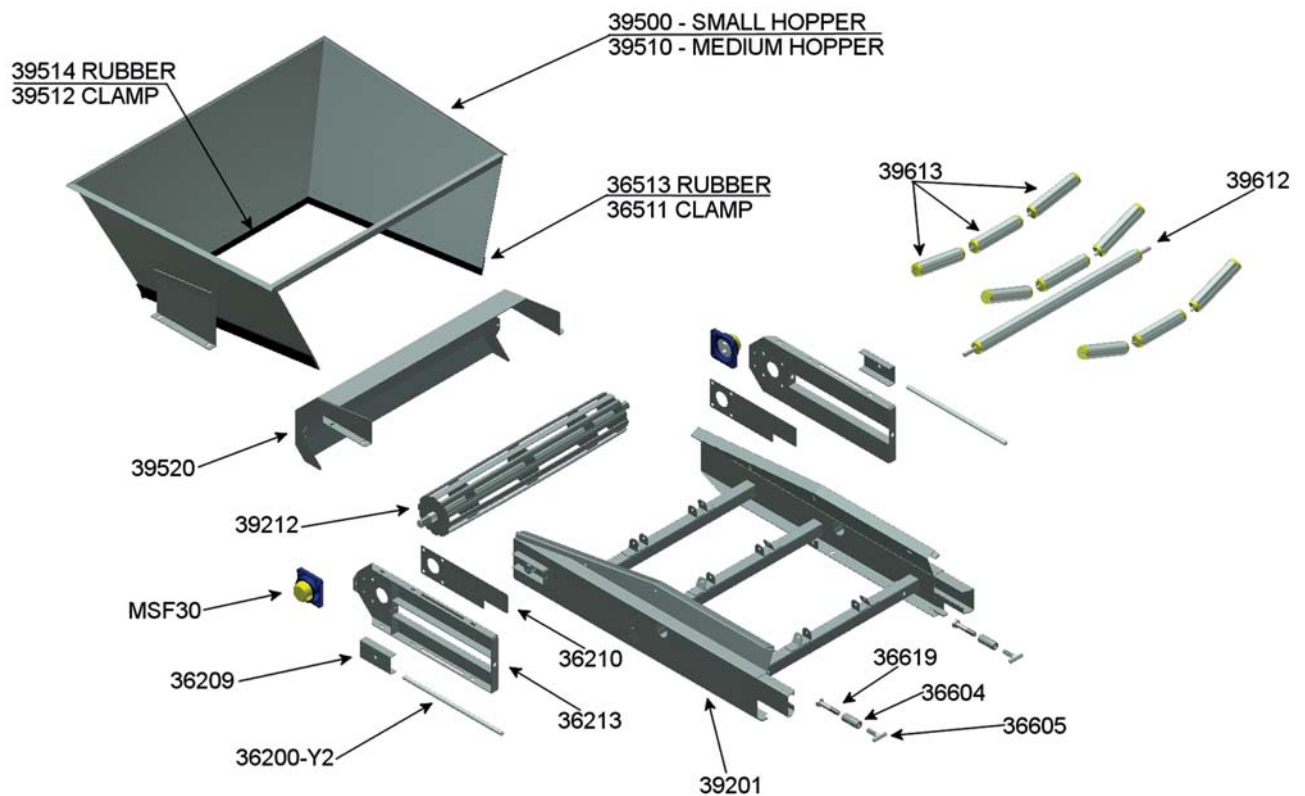
901 – HEAD DRIVE UNIT



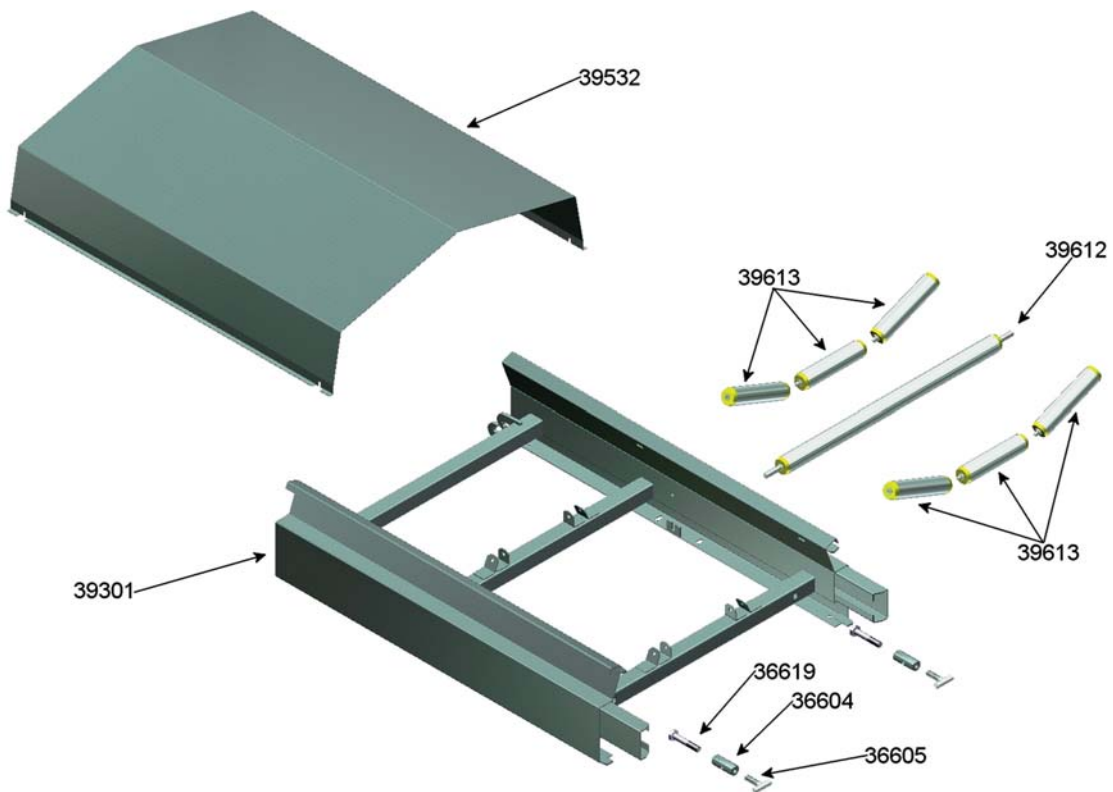
905 – SNUB HEAD DRIVE UNIT



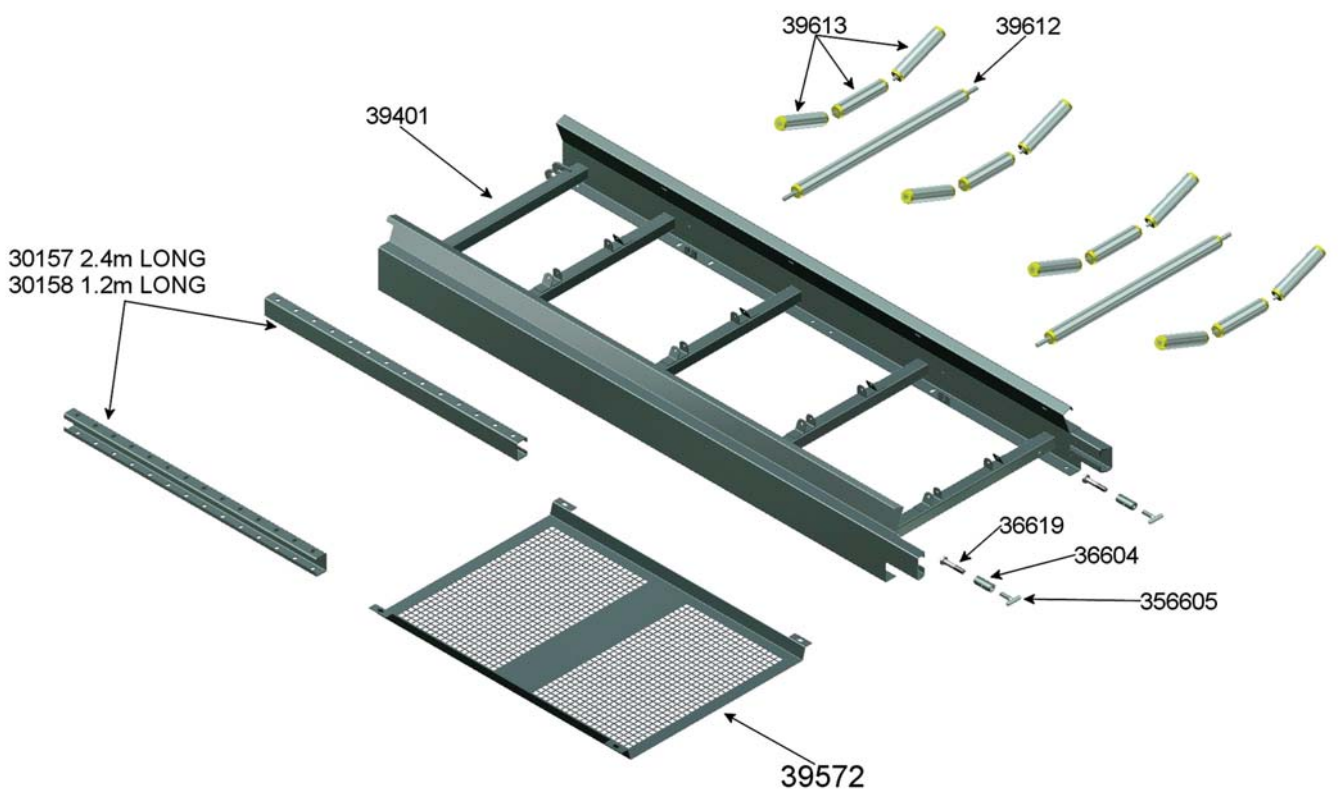
902 – BASE TENSION UNIT



903 – 1.2m (4ft) SECTION



904 – 2.4m (8ft) SECTION



EASIKIT 900 PARTS ORDER FORM

Company: _____ Your name: _____

Address: _____ Tel no: _____

_____ Your Order No: _____

Post Code: _____

E-mail: _____

EASIKIT 900 HEAD UNIT		
ITEM NO.	DESCRIPTION	QTY
39101	Head Unit Frame	
39106-35	Drive Drum	
345113	Head Plate (RH)	
345114	Head Plate (LH)	
36107A	Motor Bracket	
39612	Return Roller	
39615A	Disc Return Roller	
39613	Top Roller	
30000-TS	Tracking Stud	
SF40	Head Drum Bearing	
39562	Belt Scraper Side Brackets	
39552	Belt Scraper Blade Clamp	
39554	Belt Scraper Frame	
39555	Polyurethane Scraper Blade	
39560	Head Top Cover	

EASIKIT 900 SNUB DRIVE UNIT contd		
ITEM NO.	DESCRIPTION	QTY
36563	Belt Scraper Side Brackets	
39552	Belt Scraper Blade Clamp	
39555	Polyurethane Blade	
39557	Snub Primary Scraper Frame	
39561	Snub Head Top Cover	

EASIKIT 900 1.2m (4ft) SECTION		
ITEM NO.	DESCRIPTION	QTY
39301	1.2m (4ft) Section Frame	
39612	Return Roller	
39615A	Disc Return Roller	
39613	Top Roller	
36604	Toggle Boss	
36605	Toggle Tee	
36619	Toggle Bolt	
39532	1.2m Top Cover	

EASIKIT 900 BASE TENSION UNIT		
ITEM NO.	DESCRIPTION	QTY
39201	Tail Unit Frame	
36209	Tail Clamp	
36210	Finger Guard	
36213	Tail Bracket	
36604	Toggle Boss	
36605	Toggle Tee	
36619	Toggle Bolt	
39212	Tail Drum	
39612	Return Roller	
39615A	Disc Return Roller	
39613	Top Roller	
MSF30	Tail Bearing	
36200-Y2	Tensioning Stud	
39500	Small Hopper Frame	
39510	Medium Hopper Frame	
39514	Back Rubber	
36512	Back Rubber Clamp	
36504	Small Side Rubber Clamp	
36508	Small Side Rubber	
36511	Medium Side Rubber Clamp	
36513	Medium Side Rubber	
39520	Tail Guard	

EASIKIT 900 2.4m (8ft) SECTION		
ITEM NO.	DESCRIPTION	QTY
39401	2.4m (8ft) Section Frame	
39612	Return Roller	
39615A	Disc Return Roller	
39613	Top Roller	
36604	Toggle Boss	
36605	Toggle Tee	
36619	Toggle Bolt	
39572	Mesh Underguard	
30157	2.4m Stringer	
30158	1.2m Stringer	

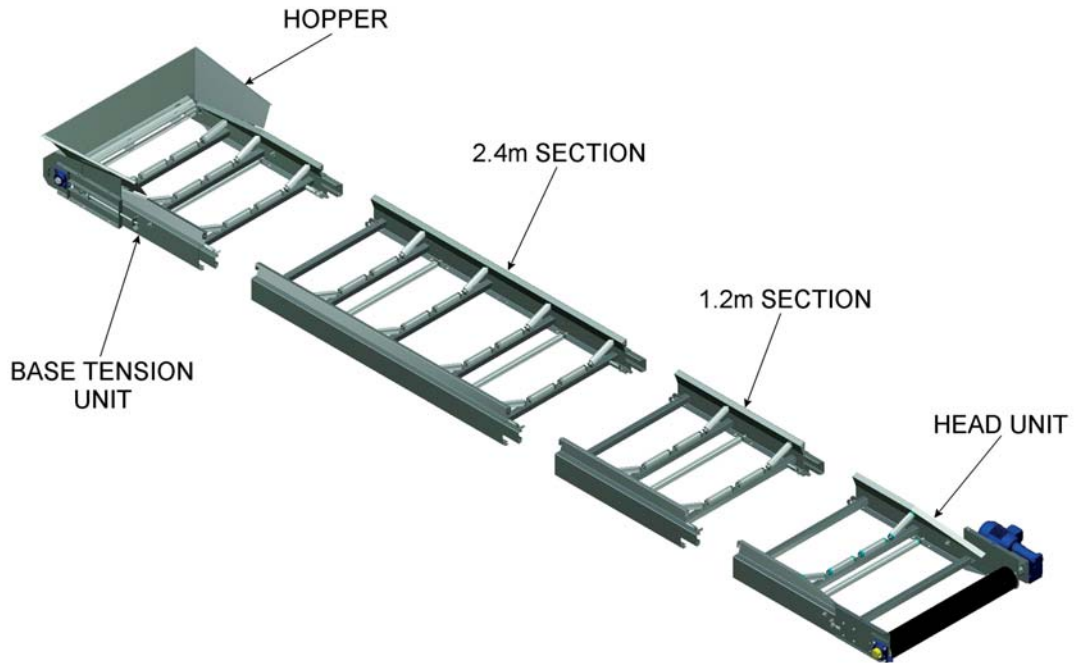
EASIKIT 900 SNUB DRIVE UNIT		
ITEM NO.	DESCRIPTION	QTY
39101	Head Unit Frame	
39151	Snub Drive Roller	
36152	Snub Head Plate (LH)	
36153	Snub Head Plate (RH)	
36160A	Snub Motor Bracket	
36170B	Motor Bracket Support	
39612	Return Roller	
39615A	Disc Return Roller	
39613	Top Roller	
39616	Snub Roller	
SFT30	Snub Roller Bearing	
30000-TS	Tracking Stud	
MSF50	Snub Head Drum Bearing	
36563	Belt Scraper Side Brackets	

PLEASE FILL IN YOUR REQUIREMENTS AND SEND A PHOTOGRAPH / COPY OF THIS FORM TO:

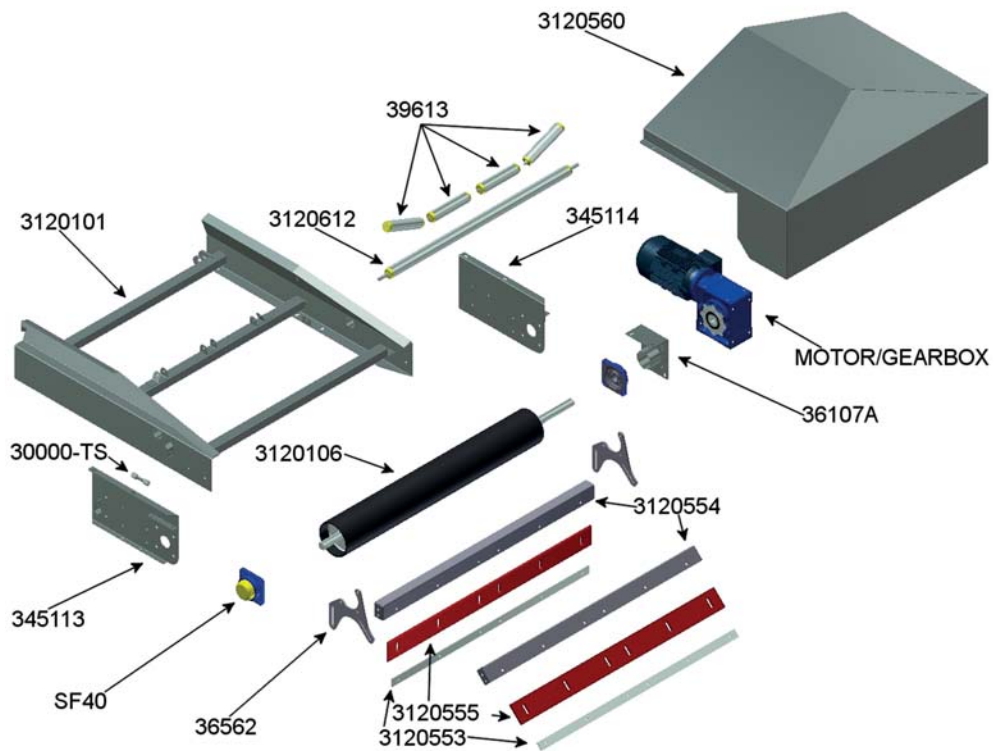
E-mail: sales@easikit.co.uk or Fax: 0117 956 4660



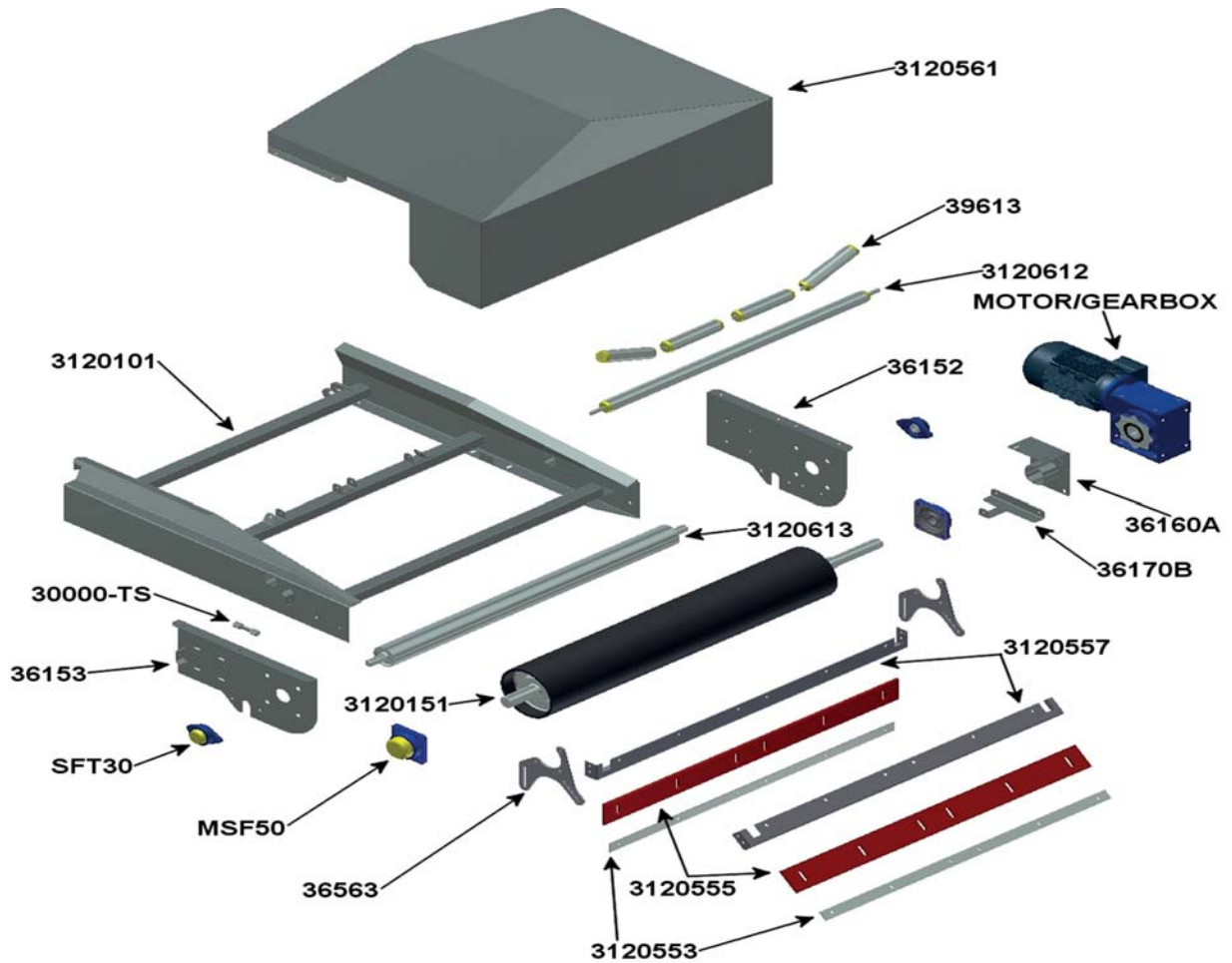
EASIKIT 1200 PARTS



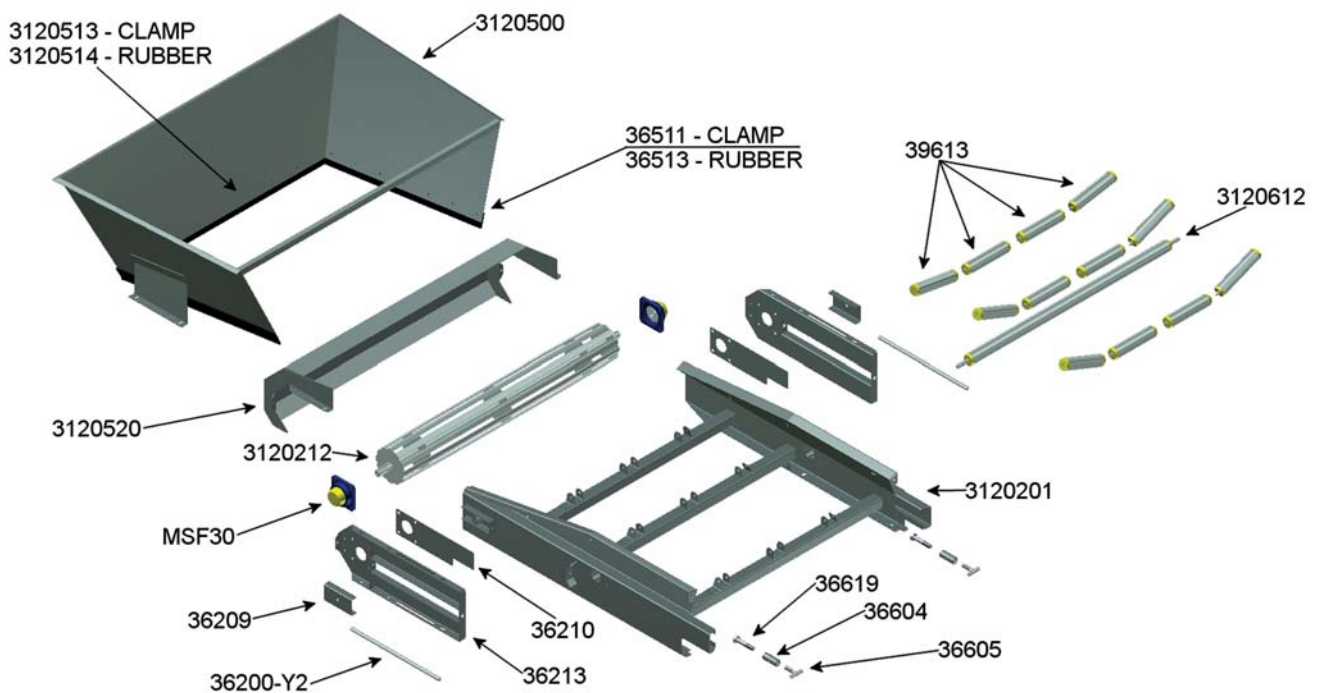
1201 – HEAD DRIVE UNIT



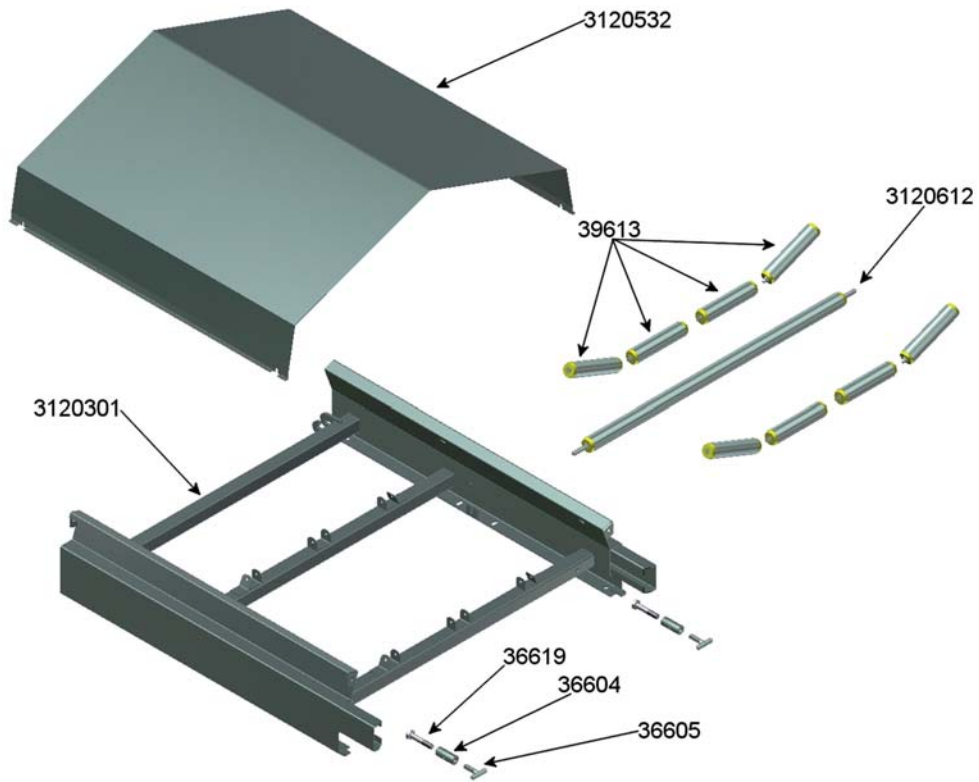
1205 - SNUB HEAD DRIVE UNIT



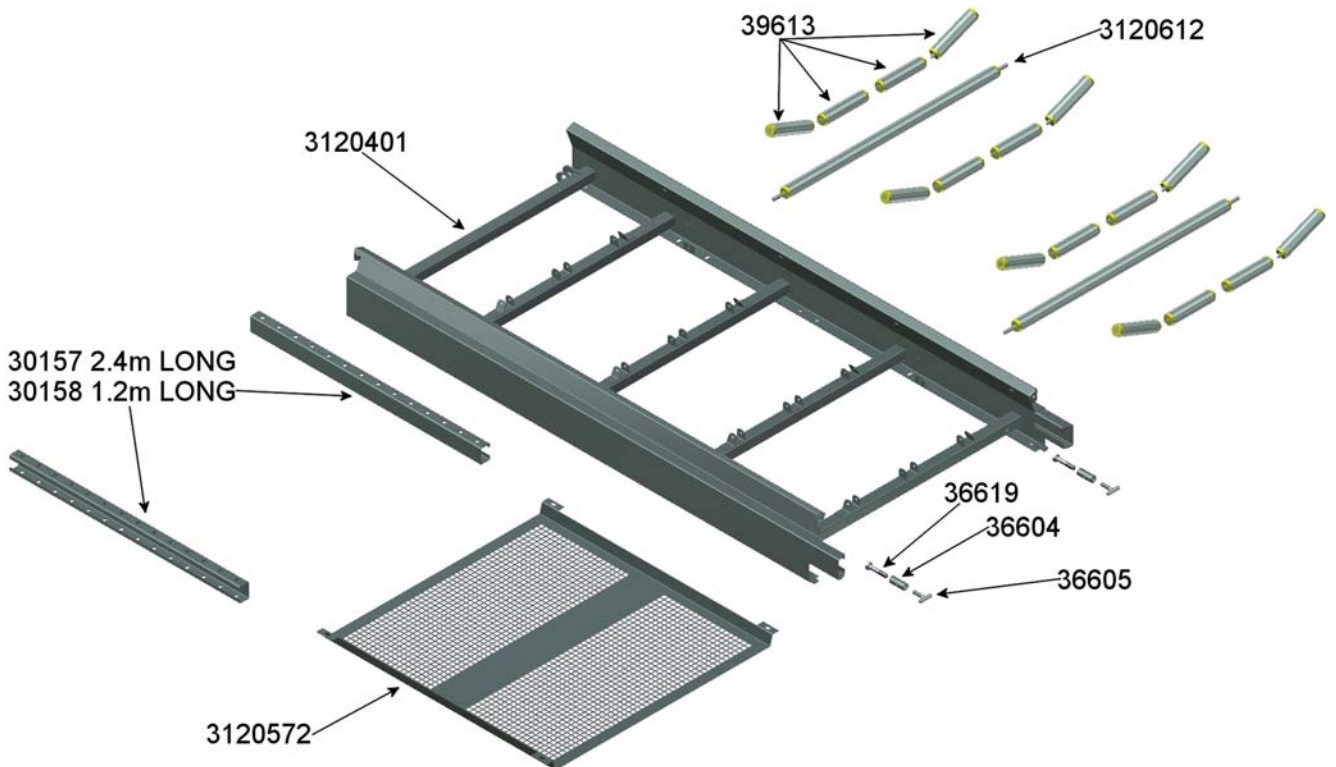
1202 - BASE TENSION UNIT



1203 – 1.2m (4ft) SECTION



1204 – 2.4m (8ft) SECTION



EASIKIT 1200 PARTS ORDER FORM

Company: _____

Your name: _____

Address: _____

Tel no: _____

Post Code: _____

Your Order No: _____

E-mail: _____

EASIKIT 1200 HEAD UNIT

ITEM NO.	DESCRIPTION	QTY
3120101	Head Unit Frame	
3120106	Drive Drum	
345114	Head Plate (LH)	
345113	Head Plate (RH)	
36107	Motor Bracket	
3120612	Return Roller	
3120612A	Disc Return Roller	
39613	Top Roller	
30000-TS	Tracking Stud	
SF40	Head Drum Bearing	
36562	Primary side brackets	
3120553	Belt Scraper Blade Clamp	
3120554	Belt Scraper Frame	
3120555	Polyurethane Scraper Blade	
3120560	Head Top Cover	
3120101	Head Unit Frame	

EASIKIT 1200 SNUB DRIVE UNIT

ITEM NO.	DESCRIPTION	QTY
3120101	Head Unit Frame	
3120151	Snub Drive Roller	
36152	Snub Head Plate (LH)	
36153	Snub Head Plate (RH)	
36160A	Snub Motor Bracket	
36170B	Motor Bracket Support	
3120612	Return Roller	
3120612A	Disc Return Roller	
39613	Top Roller	
3120613	Snub Roller	
SFT30	Snub Roller Bearing	
30000-TS	Tracking Stud	
MSF50	Snub Head Drum Bearing	

EASIKIT 1200 SNUB DRIVE UNIT contd

ITEM NO.	DESCRIPTION	QTY
36563	Belt Scraper Side Brackets	
3120553	Belt Scraper Blade Clamp	
3120555	Polyurethane Blade	
3120557	Snub Primary Scraper Frame	
3120561	Snub Head Top Cover	

EASIKIT 1200 BASE TENSION UNIT

ITEM NO.	DESCRIPTION	QTY
3120201	Tail Unit Frame	
36209	Tail Clamp	
36210	Finger Guard	
36213	Tail Bracket	
36604	Toggle Boss	
36605	Toggle Tee	
36619	Toggle Bolt	
3120212	Tail Drum	
3120612	Return Roller	
3120612A	Disc Return Roller	
39613	Top Roller	
MSF30	Tail Bearing	
36200-Y2	Tensioning Stud	
3120500	Hopper Frame	
3120514	Back Rubber	
3120513	Back Rubber Clamp	
36511	Side Rubber Clamp	
36513	Side Rubber	
3120520	Tail Guard	

EASIKIT 1200 1.2m (4ft) SECTION

ITEM NO.	DESCRIPTION	QTY
3120301	1.2m (4ft) Section Frame	
3120612	Return Roller	
3120612A	Disc Return Roller	
39613	Top Roller	
36604	Toggle Boss	
36605	Toggle Tee	
36619	Toggle Bolt	
3120532	1.2m Top Cover	

EASIKIT 1200 2.4m (8ft) SECTION

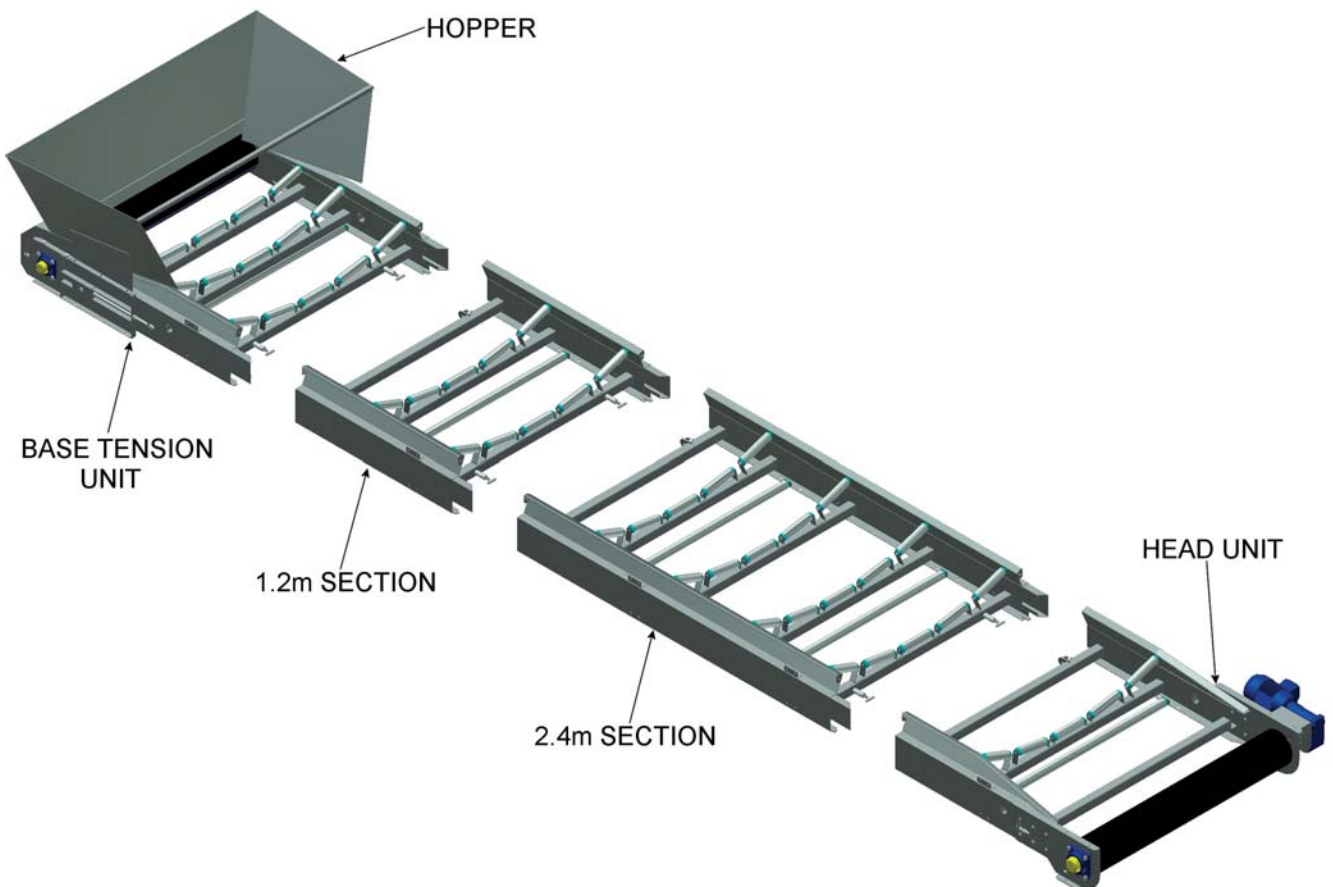
ITEM NO.	DESCRIPTION	QTY
3120401	2.4m (8ft) Section Frame	
3120612	Return Roller	
3120612A	Disc Return Roller	
39613	Top Roller	
36604	Toggle Boss	
36605	Toggle Tee	
36619	Toggle Bolt	
3120572	Mesh Underguard	
30157	2.4m Stringer	
30158	1.2m Stringer	

PLEASE FILL IN YOUR REQUIREMENTS AND SEND A PHOTOGRAPH / COPY OF THIS FORM TO:

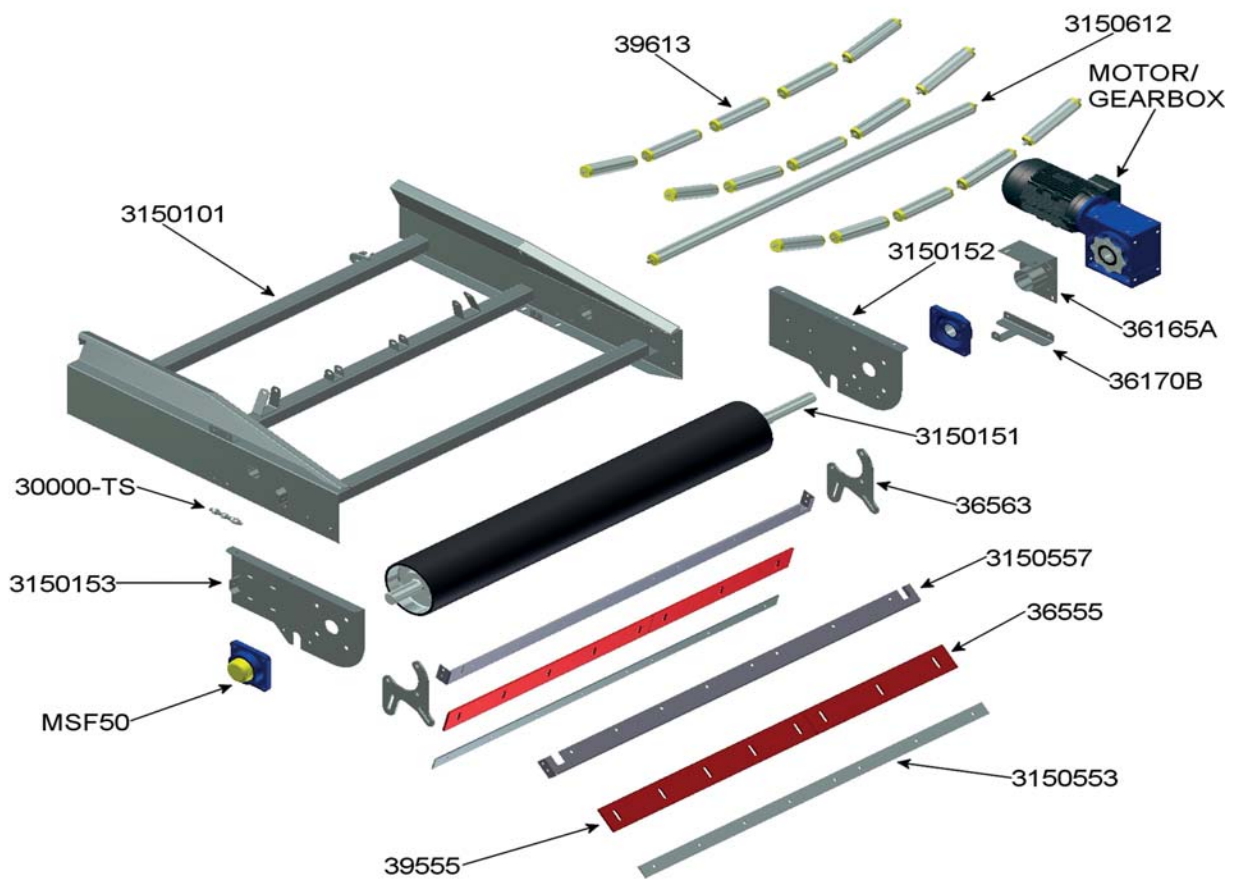
E-mail: sales@easikit.co.uk or Fax: 0117 956 4660



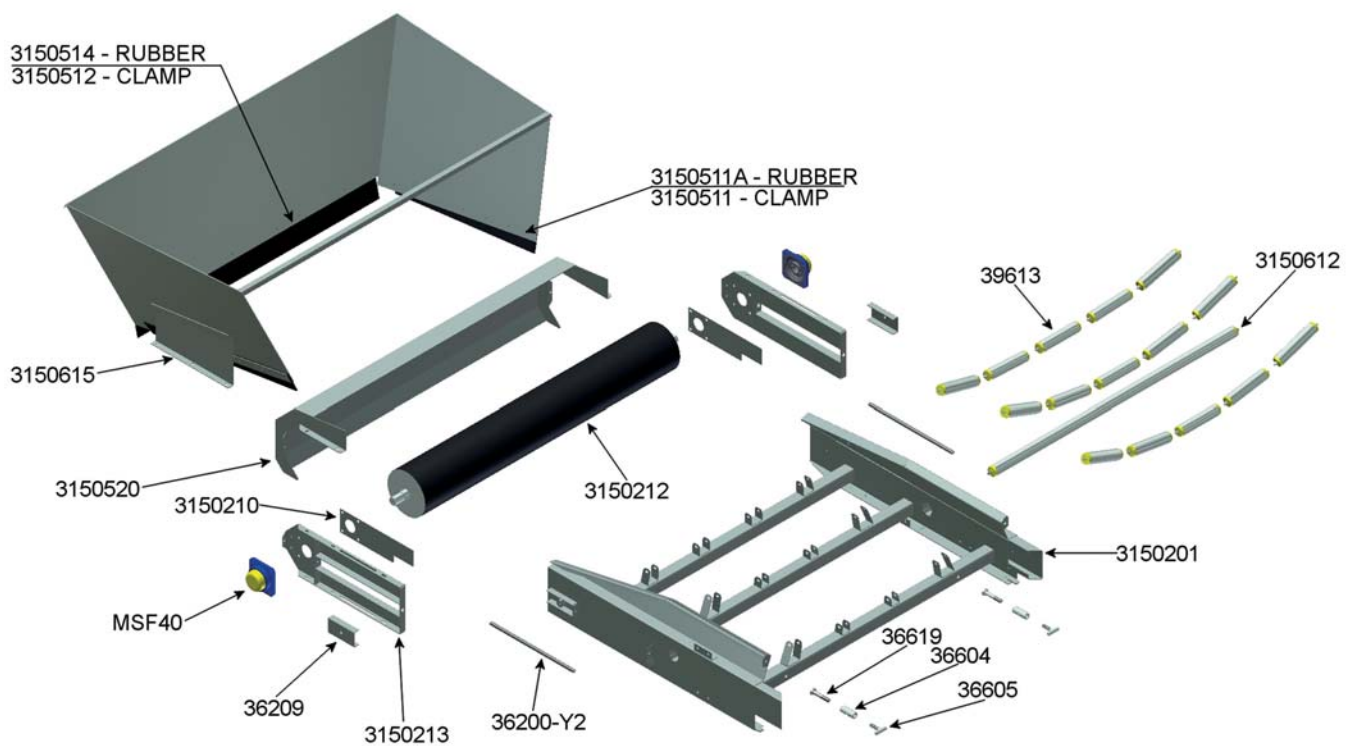
EASIKIT 1500 PARTS



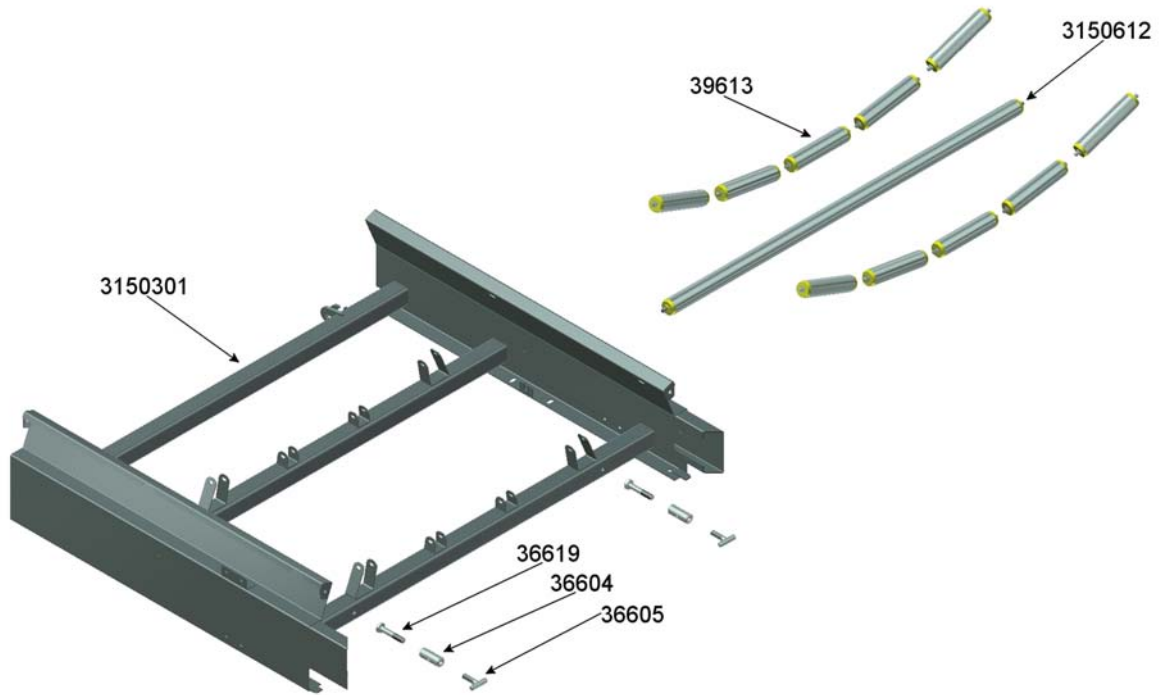
1501 - SNUB HEAD DRIVE UNIT



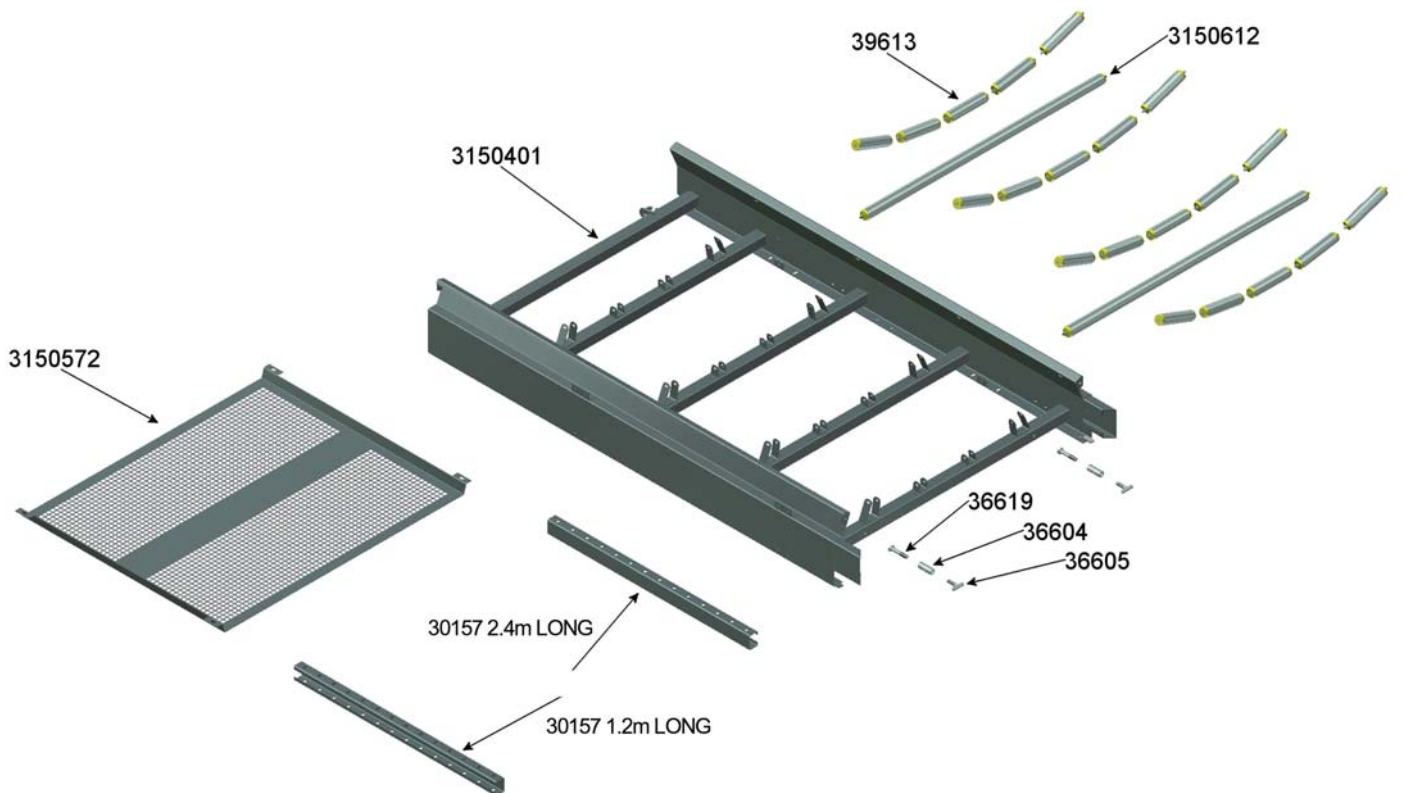
1502 - BASE TENSION UNIT



1503 – 1.2m (4ft) SECTION



1504 – 2.4m (8ft) SECTION



EASIKIT 1500 PARTS ORDER FORM

Company: _____

Your name: _____

Address: _____

Tel no: _____

Post Code: _____

Your Order No: _____

E-mail: _____

EASIKIT 1500 HEAD UNIT		
ITEM NO.	DESCRIPTION	QTY
3150101	Head Unit frame	
3150151	Drive Drum	
3150152	Head Plate (RH)	
3150153	Head Plate (LH)	
36165A	Motor Bracket	
36170B	Motor Bracket Support	
3150612	Return Roller	
3150618	Disc Return Roller	
39613	Top Roller	
30000-TS	Tracking Stud	
MSF50	Head Drum Bearing	
36563	Primary side brackets	
3150553	Belt Scraper Blade Clamp	
3150557	Belt Scraper Frame	
36555	Polyurethane Scraper Blade	
39555	Polyurethane Scraper Blade	

EASIKIT 1500 BASE TENSION UNIT		
ITEM NO.	DESCRIPTION	QTY
3150201	Tail Unit Frame	
3150210	Finger Guard	
3150212	Tail Drum	
3150213	Tail Bracket	
3150520	Tail Guard	
3150612	Return Roller	
3150618	Disc Return Roller	
39613	Top Roller	
MSF40	Tail Bearing	
36604	Toggle Boss	
36605	Toggle Tee	
36619	Toggle Bolt	
36200-Y2	Tensioning Stud	
3150615	Hopper Frame	
3150514	Back Rubber	
3150512	Back Rubber Clamp	
3150511	Side Rubber Clamp	
3150511A	Side Rubber	

EASIKIT 1500 2.4m (8ft) SECTION		
ITEM NO.	DESCRIPTION	QTY
3150401	2.4m Section Frame	
39613	Top Roller	
3150612	Return Roller	
3150618	Disc Return Roller	
36604	Toggle Boss	
36605	Toggle Tee	
36619	Toggle Bolt	
3150572	Mesh Underguard	
30157	2.4m Stringer	
30158	1.2m Stringer	

EASIKIT 1500 1.2m (4ft) SECTION		
ITEM NO.	DESCRIPTION	QTY
3150301	1.2m Section Frame	
39613	Top Roller	
3150612	Return Roller	
3150618	Disc Return Roller	
36604	Toggle Boss	
36605	Toggle Tee	
36619	Toggle Bolt	

PLEASE FILL IN YOUR REQUIREMENTS AND SEND A PHOTOGRAPH / COPY OF THIS FORM TO:

E-mail: sales@easikit.co.uk or Fax: 0117 956 4660

EASIKIT MOTOR & GEARBOX ORDER FORM

Company: _____

Your name: _____

Address: _____

Tel no: _____

Post Code: _____

Your Order No: _____

E-mail: _____

MOTOR/GEARBOX COMBINATIONS		
ITEM NO.	DESCRIPTION	QTY
310	EK300 1.5kw 0.6m/p/s 415v	
311	EK300 1.5kw 0.6m/p/s 110v	
312	EK300 2.2kw 0.8m/p/s 110v	
610	1.5kw 415v 0.3m/p/s	
611	3.0kw 415v 0.7m/p/s	
612	3.0kw 415v 0.96m/p/s	
613	2.2kw 110v 0.7m/p/s	
614	2.2kw 110v 0.96m/p/s	
615	4.0kw 415v 0.9m/p/s	
616	4.0kw 415v 1.2m/p/s	
617	4.0kw 415v 0.7m/p/s	
618	2.2kw 415v 0.3m/p/s	
619	4.0kw 415v 0.7m/p/s (35mm)	
M037415-80	0.37kw 415v 80:1 (for Radial)	

GEARBOXES		
ITEM NO.	DESCRIPTION	QTY
G751528	75-15:1 28mm shaft - B14/90	
G752028	75-20:1 28mm shaft - B14/90	
G752028-28	75-20:1 28mm shaft - B14/100	
G753028	75-30:1 28mm shaft - B14/90	
G901035	90-10:1 35mm shaft - B14/100	
G901535	90-15:1 35mm shaft - B14/100	
G902035	90-20:1 35mm shaft - B14/100	
G903035	90-30:1 35mm shaft - B14/100	
G901538	90-15:1 38mm shaft - B14/100	
G902038	90-20:1 38mm shaft - B14/100	
G903038	90-30:1 38mm shaft - B14/100	

GEARBOXES contd		
ITEM NO.	DESCRIPTION	QTY
G1101542	110-15:1 42mm shaft - B14/112	
G1102042	110-20:1 42mm shaft - B14/112	
G1103042	110-30:1 42mm shaft - B14/112	
G1104042	110-40:1 42mm shaft - B14/112	
FCNDK900C	Output Cover Size 90	

MOTORS		
ITEM NO.	DESCRIPTION	QTY
M154110	1.5kw 4 pole 110v	
M154415	1.5kw 4 pole 415v	
M15415US	1.5kw US Spec	
M156415	1.5kw 6 pole 415v	
M224110	2.2kw 4 pole 110v	
M226415	2.2kw 6 pole 415v	
M304415	3.0kw 4 pole 415v	
M404415	4.0kw 4 pole 415v	
M754415B5	7.5kw 4 pole 415v - B5 flange	
MAP250	Hydraulic Motor MAP 250	

PLEASE FILL IN YOUR REQUIREMENTS AND SEND A PHOTOGRAPH / COPY OF THIS FORM TO:

E-mail: sales@easikit.co.uk or Fax: 0117 956 4660

EASIKIT BELTING ORDER FORM

Company: _____

Your name: _____

Address: _____

Tel no: _____

Post Code: _____

Your Order No: _____

E-mail: _____

EASIKIT 300 BELT & JOINTS		
ITEM NO.	DESCRIPTION	QTY
320	EK300 Cleated Belt	
320-75	EK300 75mm Cleated Belt	
321	EK300 Plain Belt	
325	EK300 Clip Joint (187)	
325S	EK300 Clip Joint S/S (187)	

EASIKIT 900 BELT & JOINTS		
ITEM NO.	DESCRIPTION	QTY
921	EK900 Plain Belt	
922	EK900 Plain Nitrile Belt	
923	EK900 Chevron Belt (open)	
923C	EK900 Chevron Belt (closed)	
924	EK900 Cleated Belt	
925	EK900 Clip Joint (187)	
926	EK900 Clip Joint (R2)	
926S	EK900 Clip Joint S/S (R2)	

EASIKIT 450 BELT & JOINTS		
ITEM NO.	DESCRIPTION	QTY
420	EK450 Cleated Belt	
421	EK450 Plain Belt	
422	EK450 Chevron Belt (closed)	
423	EK450 Plain Nitrile Belt	
425	EK450 Clip Joint (187)	
425S	EK450 Clip Joint S/S (187)	
426	EK450 Clip Joint (R2)	
426S	EK450 Clip Joint S/S (R2)	

EASIKIT 1200 BELT & JOINTS		
ITEM NO.	DESCRIPTION	QTY
1221	EK1200 Plain Belt	
1222	EK1200 Plain Nitrile Belt	
1223	EK1200 Chevron Belting (open)	
1224	EK1200 Cleated Belt	
1226	EK1200 Clip Joint (R2)	
1226S	EK1200 Clip Joint S/S (R2)	

EASIKIT 600 BELT & JOINTS		
ITEM NO.	DESCRIPTION	QTY
621	EK600 Plain Belt	
622	EK600 Plain Nitrile Belt	
623	EK600 Chevron Belt (open)	
623C	EK600 Chevron Belt (closed)	
624	EK600 Cleated Belt	
625	EK600 Clip Joint (187)	
626	EK600 Clip Joint (R2)	
626S	EK600 Clip Joint S/S (R2)	

EASIKIT 1500 BELT & JOINTS		
ITEM NO.	DESCRIPTION	QTY
1521	EK1500 Plain Belt	
1522	EK1500 Plain Nitrile Belt	
1523	EK1500 Chevron Belt (open)	
1524	EK1500 Cleated Belt	
1526	EK1500 Clip Joint (R2)	
1526S	EK1500 Clip Joint S/S (R2)	

PLEASE FILL IN YOUR REQUIREMENTS AND SEND A PHOTOGRAPH/COPY OF THIS FORM TO:

E-mail: sales@easikit.co.uk or Fax: 0117 956 4660

EASIKIT BELT CLIP JOINT ORDER FORM

Company: _____

Your name: _____

Address: _____

Tel no: _____

Post Code: _____

Your Order No: _____

E-mail: _____

187 - M/D INSTALLATION TOOLS		
ITEM NO.	DESCRIPTION	QTY
701	150mm 187 Installation Tool	
702	300mm 187 Installation Tool	
703	600mm 187 Installation Tool	
731	Staple Setting Plate	
732	Hinge Pin Cutter	
741	150mm 187 Tool Kit	
742	300mm 187 Tool Kit	

R2 - H/D INSTALLATION TOOLS		
ITEM NO.	DESCRIPTION	QTY
785	R2 Installation Tool	
791	EK450 R2 Economy Joint Kit	
792	EK600 R2 Economy Joint Kit	
793	EK900 R2 Economy Joint Kit	
794	EK1200 R2 Economy Joint Kit	
795	EK1500 R2 Economy Joint Kit	

187 - M/D JOINT PARTS		
ITEM NO.	DESCRIPTION	QTY
711	Carton 300mm 187 Joints (Qty 4)	
713	Carton 600mm 187 Joints (Qty 4)	
713S	Carton 600mm 187 Joints S/S (Qty 4)	
714	Carton 900mm 187 Joints (Qty 4)	
714S	Carton 900mm 187 S/S Joints (Qty 4)	
715	Carton 1200mm 187 Joints (Qty 4)	
716	Carton 1500mm 187 Joints (Qty 4)	
720	30m 187 Hinge Pin	
721	300mm 187 Hinge Pin	
722	450mm 187 Hinge Pin	
723	600mm 187 Hinge Pin	
724	900mm 187 Hinge Pin	
725	1200mm 187 Hinge Pin	
726	1500mm 187 Hinge Pin	
733	Hinge Pin Washers (187) (Qty 50)	

R2 - H/D JOINT PARTS		
ITEM NO.	DESCRIPTION	QTY
751	450mm R2 Clip Joint	
751S	450mm R2 S/S Clip Joint	
752	600mm R2 Clip Joint	
752S	600mm R2 S/S Clip Joint	
753	900mm R2 Clip Joint	
753S	900mm R2 S/S Clip Joint	
754	1200mm R2 Clip Joint	
754S	1200mm R2 S/S Clip Joint	
755	1500mm R2 Clip Joint	
755S	1500mm R2 S/S Clip Joint	
761	Heavy Duty Rivets - (Qty 100)	
762	Heavy Duty Rivets - (Qty 250)	
762S	Heavy Duty S/S Rivets - (Qty 250)	
763	Heavy Duty Rivets - (Qty 2000)	
770	30m R2 Hinge Pin	
771	450mm R2 Hinge Pin	
771S	450mm R2 S/S Hinge Pin	
772	600mm R2 Hinge Pin	
772S	600mm R2 S/S Hinge Pin	
773	900mm R2 Hinge Pin	
773S	900mm R2 S/S Hinge Pin	
774	1200mm R2 Hinge Pin	
774S	1200mm R2 S/S Hinge Pin	
775	1500mm R2 Hinge Pin	
775S	1500mm R2 S/S Hinge Pin	
778	Hinge Pin Washers HD - (Qty 50)	

PLEASE FILL IN YOUR REQUIREMENTS
AND SEND A PHOTOGRAPH/COPY OF
THIS FORM TO:

E-mail: sales@easikit.co.uk or

Fax: 0117 956 4660







+44 (0) 117 244 3456

sales@easikit.co.uk

www.easikit.co.uk